

MEFA mounting systems for ventilation



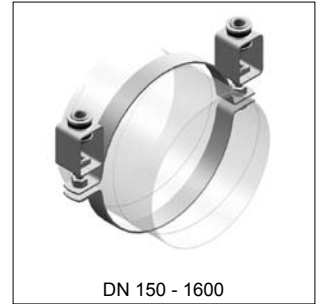
Ventilation pipe clamp VENTUS
Page 8/2



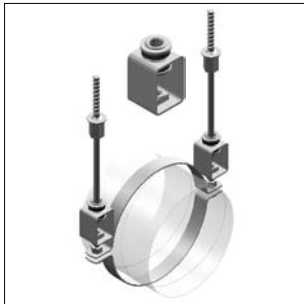
Ventilation pipe clamp lined
Page 8/3



Ventilation pipe clamp
Page 8/5



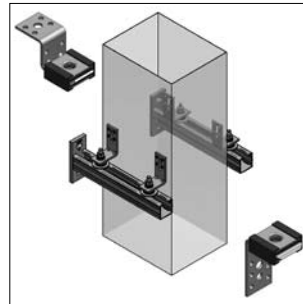
Ventilation pipe clamp DHL
Page 8/7



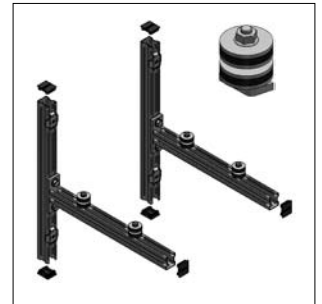
Sound absorption element DHL
Page 8/8



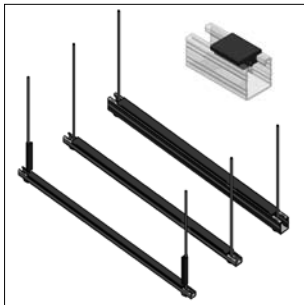
Ducting strap
Page 8/8



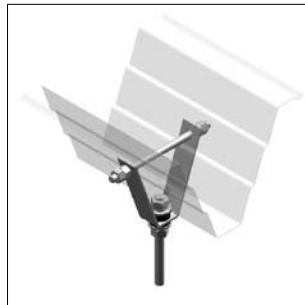
Duct holder
Page 8/9



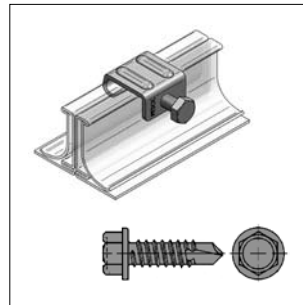
Console-set, Sound absorption element
Page 8/11



C-profile linings, EPDM
Page 8/12



Trapeze hanger
Page 8/13



Duct clamp, Self-drilling screw
Page 8/14

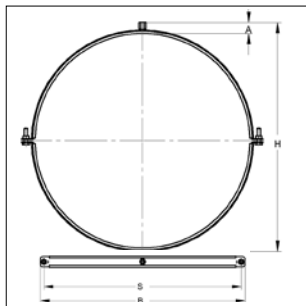


Duct sealing tape, Cold shrink tape
Page 8/15



Duct sealing compound
Page 8/15

VENTUS, ventilation pipe clamp



VENTUS, ventilation pipe clamp

Specification:

Closure:	closure-screw
Construction:	two-part
Nominal width [DN]:	80 up to 630
Connection:	thread M8, thread M8/M10
Sound insulation:	for DIN 4109

Technical data:

Material:	steel
Material type:	S235JR
Surface:	galvanized
Sound insulation:	EPDM lining
Temperature resistance:	- 35 °C up to + 100 °C
Insulation thickness:	4,5 mm

Connection: Thread M8, thread M8/M10

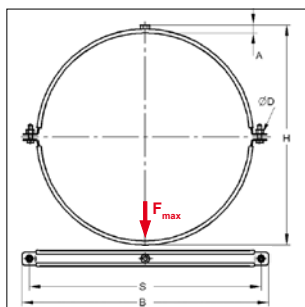
with sound insulation lining EPDM

Dimension [DN]	OD [mm]	Material [mm]	Thread	H [mm]	A [mm]	B [mm]	S [mm]	max. load [kN]	Weight [kg/pc.]	Packing [pc.]	Part-No.
80	84	20 x 1,5	M8	102	15	127	109	0,75	0,12	50	0449931080
100	105	20 x 1,5	M8	122	15	147	130	0,75	0,14	50	0449931100
125	130	20 x 1,5	M8	147	15	173	155	0,75	0,16	50	0449931125
140	145	20 x 1,5	M8	162	15	188	170	0,75	0,18	25	0449931140
150	155	20 x 1,5	M8	172	15	198	180	0,75	0,19	25	0449931150
160	165	20 x 1,5	M8	182	15	208	190	0,75	0,20	25	0449931160
180	185	20 x 1,5	M8	202	15	228	210	0,75	0,22	25	0449931180
200	205	25 x 1,5	M8	222	15	248	230	1,00	0,24	25	0449931200
224	229	25 x 1,5	M8	248	16	281	263	1,00	0,36	10	0449931224
250	255	25 x 1,5	M8	274	16	307	289	1,00	0,39	10	0449931250
280	285	25 x 1,5	M8	304	16	337	319	1,00	0,43	10	0449931280
300	307	25 x 1,5	M8	325	16	358	340	1,00	0,45	10	0449931300
315	322	25 x 1,5	M8	340	16	373	355	1,00	0,47	10	0449931315
355	362	25 x 1,5	M8	380	16	413	395	1,00	0,52	10	0449931355
400	407	25 x 1,5	M8/M10	433	24	458	440	1,00	0,59	10	0449932400
450	457	25 x 1,5	M8/M10	483	24	508	490	1,00	0,65	10	0449932450
500	507	25 x 2,5	M8/M10	535	25	560	542	1,50	1,09	10	0449932500
560	567	25 x 2,5	M8/M10	595	25	620	602	1,50	1,21	10	0449932560
600	607	25 x 2,5	M8/M10	635	25	660	642	1,50	1,28	10	0449932600
630	639	25 x 2,5	M8/M10	665	25	690	672	1,50	1,35	10	0449932630

Ventilation pipe clamp, lined



Ventilation pipe clamp,
lined



Specification:

Closure:	nut / closure-screw
Construction:	two-part
Nominal width [DN]:	71 up to 1250
Connection:	thread M8, M10, without connection
Sound insulation:	according to DIN 4109

Technical data:

Material:	steel
Material type:	S235JR
Surface:	galvanized
Sound insulation:	EPDM lining
Temperature resistance:	- 35 °C up to + 100 °C
Insulation thickness:	6 mm

Connection: thread M8

with sound insulation lining EPDM

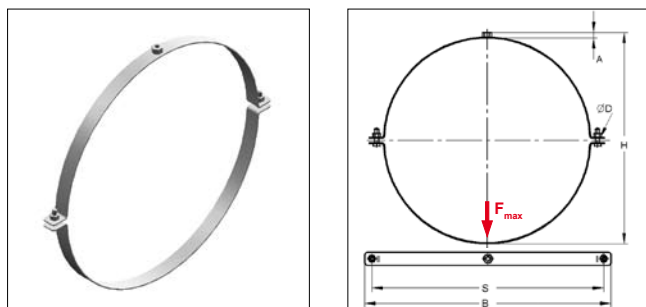
Dimension [DN]	Material [mm]	Closure-screw	max. load F_{max} [kN]	H [mm]	A [mm]	B [mm]	S [mm]	Ø D [mm]	Weight [kg/pc.]	Packing [pc.]	Part-No.
71	20x2,0	M8	0,8	103	20	145	120	8,5	0,189	1	0430711
80	20x2,0	M8	0,8	112	20	154	129	8,5	0,202	1	0430801
90	20x2,0	M8	0,8	122	20	164	139	8,5	0,216	1	0430901
100	20x2,0	M8	0,8	133	20	175	150	8,5	0,231	1	0431001
112	20x2,0	M8	0,8	145	20	187	162	8,5	0,248	1	0431121
125	20x2,0	M8	0,8	158	20	200	175	8,5	0,266	1	0431251
140	20x2,0	M8	0,8	173	20	215	190	8,5	0,287	1	0431401
150	20x2,0	M8	0,8	183	20	225	200	8,5	0,301	1	0431501
160	20x2,0	M8	0,8	193	20	235	210	8,5	0,315	1	0431601
180	20x2,5	M8	1,5	213	20	255	230	8,5	0,414	1	0431801
200	20x2,5	M8	1,5	233	20	275	250	8,5	0,449	1	0432001
224	20x2,5	M8	1,5	257	20	299	274	8,5	0,491	1	0432241
250	20x2,5	M8	1,5	283	20	325	300	8,5	0,620	1	0432501
280	25x2,5	M8	2,0	315	21	356	331	8,5	0,682	1	0432801
300	25x2,5	M8	2,0	337	21	378	353	8,5	0,727	1	0433001
315	25x2,5	M8	2,0	352	21	393	368	8,5	0,758	1	0433151
355	25x2,5	M8	2,0	392	21	433	408	8,5	0,840	1	0433551
400	25x2,5	M8	2,0	437	21	478	453	8,5	0,932	1	0434001
450	25x2,5	M8	2,0	487	21	528	503	8,5	1,035	1	0434501
500	25x2,5	M8	2,0	537	21	578	553	8,5	1,138	1	0435001
560	25x2,5	M8	2,0	597	21	638	613	8,5	1,262	1	0435601

Ventilation pipe clamp, lined

Connection: Thread M10			with sound insulation lining EPDM								
Dimension	Material	Closure-screw	max. load F_{max} [kN]	H [mm]	A [mm]	B [mm]	S [mm]	Ø D [mm]	Weight [kg/pc.]	Packing [pc.]	Part-No.
[DN]	[mm]										
71	20x2,0	M8	0,8	105	22	145	120	8,5	0,189	1	0430712
80	20x2,0	M8	0,8	114	22	154	129	8,5	0,202	1	0430802
90	20x2,0	M8	0,8	124	22	164	139	8,5	0,216	1	0430902
100	20x2,0	M8	0,8	135	22	175	150	8,5	0,231	1	0431002
112	20x2,0	M8	0,8	147	22	187	162	8,5	0,248	1	0431122
125	20x2,0	M8	0,8	160	22	200	175	8,5	0,266	1	0431252
140	20x2,0	M8	0,8	175	22	215	190	8,5	0,287	1	0431402
150	20x2,0	M8	0,8	185	22	225	200	8,5	0,301	1	0431502
160	20x2,0	M8	0,8	200	22	235	210	8,5	0,315	1	0431602
180	20x2,5	M8	1,5	215	22	255	230	8,5	0,414	1	0431802
200	20x2,5	M8	1,5	235	22	275	250	8,5	0,449	1	0432002
224	20x2,5	M8	1,5	259	22	299	274	8,5	0,491	1	0432242
250	20x2,5	M8	1,5	285	22	325	300	8,5	0,620	1	0432502
280	25x2,5	M8	2,0	317	23	356	331	8,5	0,682	1	0432802
300	25x2,5	M8	2,0	332	23	378	353	8,5	0,727	1	0433002
315	25x2,5	M8	2,0	354	23	393	368	8,5	0,758	1	0433152
355	25x2,5	M8	2,0	394	23	433	408	8,5	0,840	1	0433552
400	25x2,5	M8	2,0	439	23	478	453	8,5	0,932	1	0434002
450	25x2,5	M8	2,0	489	23	528	503	8,5	1,035	1	0434502
500	25x2,5	M8	2,0	539	23	578	553	8,5	1,138	1	0435002
560	25x2,5	M8	2,0	599	23	638	613	8,5	1,262	1	0435602

Without connection, without closure-screws			with sound insulation lining EPDM								
Dimension	Material	Closure-screw	max. load F_{max} [kN]	H [mm]	A [mm]	B [mm]	S [mm]	Ø D [mm]	Weight [kg/pc.]	Packing [pc.]	Part-No.
[DN]	[mm]										
224	20x2,5	for M8	1,5	245	-	299	274	8,5	0,431	1	0432240
250	20x2,5	for M8	1,5	271	-	325	300	8,5	0,560	1	0432500
280	25x2,5	for M8	2,0	303	-	356	331	8,5	0,622	1	0432800
300	25x2,5	for M8	2,0	325	-	378	353	8,5	0,667	1	0433000
315	25x2,5	for M8	2,0	340	-	393	368	8,5	0,698	1	0433150
355	25x2,5	for M8	2,0	380	-	433	408	8,5	0,780	1	0433550
400	25x2,5	for M8	2,0	425	-	478	453	8,5	0,872	1	0434000
450	25x2,5	for M8	2,0	475	-	528	503	8,5	0,975	1	0434500
500	25x2,5	for M8	2,0	525	-	578	553	8,5	1,078	1	0435000
560	25x2,5	for M8	2,0	585	-	638	613	8,5	1,202	1	0435600
600	25x2,5	for M8	2,0	625	-	678	653	8,5	1,255	1	0436000
630	25x3,0	for M10	2,0	657	-	711	686	10,5	1,552	1	0436300
710	25x3,0	for M10	2,0	737	-	791	766	10,5	1,741	1	0437100
800	25x3,0	for M10	2,0	828	-	882	857	10,5	1,956	1	0438000
900	30x3,0	for M10	2,0	928	-	982	957	10,5	2,737	1	0439000
1000	30x3,0	for M10	2,0	1030	-	1084	1059	10,5	3,038	1	0440000
1120	30x3,0	for M10	2,0	1150	-	1204	1179	10,5	3,392	1	0441200
1250	30x3,0	for M10	2,0	1280	-	1334	1309	10,5	3,776	1	0442500

■ Ventilation pipe clamp



Ventilation pipe clamp

Specification:

Closure:	nut / closure-screw
Construction:	two-part
Nominal width [DN]:	71 up to 1250
Connection:	thread M8, M10, without connection

Technical data:

Material:	steel
Material type:	S235JR
Surface:	galvanized

Connection: thread M8

without sound insulation

Dimension [DN]	Material [mm]	Closure- screw	max. load F_{max} [kN]	H [mm]	A [mm]	B [mm]	S [mm]	Ø D [mm]	Weight [kg/pc.]	Packing [pc.]	Part-No.
71	20x2,0	M8	1,5	91	14	133	108	8,5	0,151	1	0430721
80	20x2,0	M8	1,5	100	14	142	117	8,5	0,160	1	0430811
90	20x2,0	M8	1,5	110	14	152	127	8,5	0,170	1	0430911
100	20x2,0	M8	1,5	121	14	163	138	8,5	0,180	1	0431011
112	20x2,0	M8	1,5	133	14	175	150	8,5	0,192	1	0431131
125	20x2,0	M8	1,5	146	14	188	163	8,5	0,205	1	0431261
140	20x2,0	M8	1,5	161	14	203	178	8,5	0,220	1	0431411
150	20x2,0	M8	1,5	171	14	213	188	8,5	0,230	1	0431511
160	20x2,0	M8	1,5	181	14	223	198	8,5	0,240	1	0431611
180	20x2,5	M8	2,0	201	14	243	218	8,5	0,310	1	0431811
200	20x2,5	M8	2,0	221	14	263	238	8,5	0,334	1	0432011
224	20x2,5	M8	2,0	245	14	287	262	8,5	0,364	1	0432251
250	20x2,5	M8	2,0	271	14	313	288	8,5	0,396	1	0432511
280	25x2,5	M8	2,0	302	15	345	320	8,5	0,526	1	0432811
300	25x2,5	M8	2,0	324	15	367	342	8,5	0,560	1	0433011
315	25x2,5	M8	2,0	339	15	382	357	8,5	0,583	1	0433161
355	25x2,5	M8	2,0	379	15	422	397	8,5	0,645	1	0433561
400	25x2,5	M8	2,0	424	15	467	442	8,5	0,714	1	0434011
450	25x2,5	M8	2,0	474	15	517	492	8,5	0,791	1	0434511
500	25x2,5	M8	2,0	524	15	567	542	8,5	0,868	1	0435011
560	25x2,5	M8	2,0	584	15	627	602	8,5	0,961	1	0435611

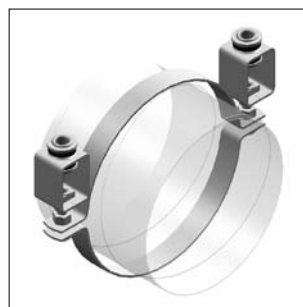
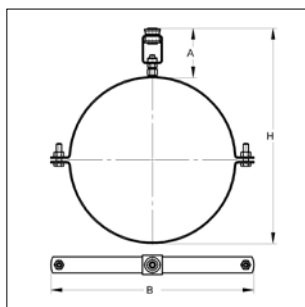
Ventilation pipe clamp

Connection: Thread M10										without sound insulation	
Dimension	Material	Closure-screw	max. load F _{max} [kN]	H [mm]	A [mm]	B [mm]	S [mm]	Ø D [mm]	Weight [kg/pc.]	Packing [pc.]	Part-No.
71	20x2,0	M8	1,5	93	16	133	108	8,5	0,151	1	0430722
80	20x2,0	M8	1,5	102	16	142	117	8,5	0,160	1	0430812
90	20x2,0	M8	1,5	112	16	152	127	8,5	0,170	1	0430912
100	20x2,0	M8	1,5	123	16	163	138	8,5	0,180	1	0431012
112	20x2,0	M8	1,5	135	16	175	150	8,5	0,192	1	0431132
125	20x2,0	M8	1,5	148	16	188	163	8,5	0,205	1	0431262
140	20x2,0	M8	1,5	163	16	203	178	8,5	0,220	1	0431412
150	20x2,0	M8	1,5	173	16	213	188	8,5	0,230	1	0431512
160	20x2,0	M8	1,5	183	16	223	198	8,5	0,240	1	0431612
180	20x2,5	M8	2,0	203	16	243	218	8,5	0,310	1	0431812
200	20x2,5	M8	2,0	223	16	263	238	8,5	0,334	1	0432012
224	20x2,5	M8	2,0	247	16	287	262	8,5	0,364	1	0432252
250	20x2,5	M8	2,0	273	16	313	288	8,5	0,396	1	0432512
280	25x2,5	M8	2,0	305	17	345	320	8,5	0,526	1	0432812
300	25x2,5	M8	2,0	327	17	367	342	8,5	0,560	1	0433012
315	25x2,5	M8	2,0	342	17	382	357	8,5	0,583	1	0433162
355	25x2,5	M8	2,0	382	17	422	397	8,5	0,645	1	0433562
400	25x2,5	M8	2,0	427	17	467	442	8,5	0,714	1	0434012
450	25x2,5	M8	2,0	477	17	517	492	8,5	0,791	1	0434512
500	25x2,5	M8	2,0	527	17	567	542	8,5	0,868	1	0435012
560	25x2,5	M8	2,0	587	17	627	602	8,5	0,961	1	0435612
Without connection, without closure-screws										without sound insulation	
71	20x2,0	für M8	1,5	79	-	133	108	8,5	0,091	1	0430720
80	20x2,0	für M8	1,5	88	-	142	117	8,5	0,100	1	0430810
90	20x2,0	für M8	1,5	98	-	152	127	8,5	0,110	1	0430910
100	20x2,0	für M8	1,5	109	-	163	138	8,5	0,120	1	0431010
112	20x2,0	für M8	1,5	121	-	175	150	8,5	0,132	1	0431130
125	20x2,0	für M8	1,5	134	-	188	163	8,5	0,145	1	0431260
140	20x2,0	für M8	1,5	149	-	203	178	8,5	0,160	1	0431410
150	20x2,0	für M8	1,5	159	-	213	188	8,5	0,170	1	0431510
160	20x2,0	für M8	1,5	169	-	223	198	8,5	0,180	1	0431610
180	20x2,5	für M8	2,0	189	-	243	218	8,5	0,250	1	0431810
200	20x2,5	für M8	2,0	209	-	263	238	8,5	0,274	1	0432010
224	20x2,5	für M8	2,0	233	-	287	262	8,5	0,304	1	0432250
250	20x2,5	für M8	2,0	259	-	313	288	8,5	0,336	1	0432510
280	25x2,5	für M8	2,0	291	-	345	320	8,5	0,466	1	0432810
300	25x2,5	für M8	2,0	313	-	367	342	8,5	0,500	1	0433010
315	25x2,5	für M8	2,0	328	-	382	357	8,5	0,523	1	0433160
355	25x2,5	für M8	2,0	368	-	422	397	8,5	0,585	1	0433560
400	25x2,5	für M8	2,0	413	-	467	442	8,5	0,654	1	0434010
450	25x2,5	für M8	2,0	463	-	517	492	8,5	0,731	1	0434510
500	25x2,5	für M8	2,0	513	-	567	542	8,5	0,808	1	0435010
560	25x2,5	für M8	2,0	573	-	627	602	8,5	0,901	1	0435610
600	25x2,5	für M8	2,0	610	-	665	640	8,5	0,955	1	0436010
630	25x3,0	für M10	2,0	645	-	699	674	10,5	1,214	1	0436310
710	25x3,0	für M10	2,0	725	-	779	754	10,5	1,362	1	0437110
800	25x3,0	für M10	2,0	816	-	870	845	10,5	1,530	1	0438010
900	30x3,0	für M10	2,0	916	-	970	945	10,5	2,067	1	0439010
1000	30x3,0	für M10	2,0	1018	-	1072	1047	10,5	2,294	1	0440010
1120	30x3,0	für M10	2,0	1138	-	1192	1167	10,5	2,562	1	0441210
1250	30x3,0	für M10	2,0	1268	-	1292	1267	10,5	2,852	1	0442510

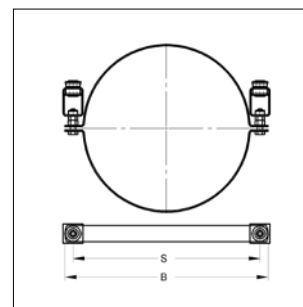
Ventilation pipe clamp with sound absorption element



Ventilation pipe clamp with sound absorption element DHL



Ventilation pipe clamp with two sound absorption elements DHL



Specification:

Closure: nut / closure-screw
 Construction: two-part
 Nominal width [DN]: 150 up to 1600
 Connection: thread M8, M10
 Sound insulation: according to DIN 4109

Technical data:

Material: steel
 Material type: S235JR
 Surface: galvanized
 Sound insulation: SBR lining
 Temperature resistance: - 35 °C up to + 100 °C

Scope of delivery 1 x DHL: threaded pin M8/20 1 piece
 nut M8 1 piece
 sound absorption element DHL M8, pre-assembled 1 piece
Scope of delivery 2 x DHL: closure-screws M8/35 M10/35 2 pieces
 nuts M8, M10 (from DN 900) 4 pieces
 sound absorption elements DHL M10, enclosed 2 pieces



With 1 sound absorption element DHL

Dimension [DN]	OD [mm]	Material [mm]	max. load [kN]	H [mm]	A [mm]	B [mm]	S [mm]	Weight [Kg/pc.]	Packing [pc.]	Part-No.
150	155	20x2,0	1,5	237,0	80	213	-	0,314	1	0448150
160	165	20x2,0	1,5	247,0	80	223	-	0,324	1	0448160
180	185	20x2,5	2,0	267,5	80	243	-	0,394	1	0448180
200	205	20x2,5	2,0	287,5	80	263	-	0,418	1	0448200
224	229	20x2,5	2,0	311,5	80	287	-	0,448	1	0448224
250	255	20x2,5	2,0	337,5	80	313	-	0,480	1	0448250
280	285	25x2,5	2,0	367,5	80	345	-	0,610	1	0448280
300	307	25x2,5	2,0	389,5	80	367	-	0,644	1	0448300
315	322	25x2,5	2,0	404,5	80	382	-	0,667	1	0448315
355	362	25x2,5	2,0	444,5	80	422	-	0,729	1	0448355
400	407	25x2,5	2,0	489,5	80	467	-	0,798	1	0448400
450	457	25x2,5	2,0	539,5	80	517	-	0,875	1	0448450
500	507	25x2,5	2,0	589,5	80	567	-	0,952	1	0448500
560	567	25x2,5	2,0	649,5	80	627	-	1,046	1	0448560

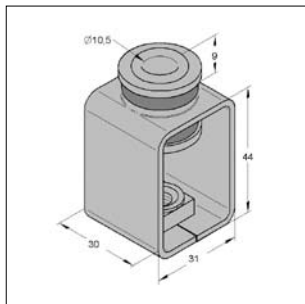
With 2 sound absorption elements DHL

600	609	25x2,5	2,0	-	-	671	640	1,039	1	0448600
630	639	25x3,0	2,0	-	-	705	674	1,384	1	0448630
710	719	25x3,0	2,0	-	-	785	754	1,532	1	0448710
800	810	25x3,0	2,0	-	-	876	845	1,700	1	0448800
900	910	30x3,0	2,0	-	-	922	891	2,237	1	0448909
1000	1012	30x3,0	2,0	-	-	1078	1047	2,464	1	0448910
1120	1132	30x3,0	2,0	-	-	1198	1167	2,732	1	0448911
1250	1262	30x3,0	2,0	-	-	1298	1267	3,022	1	0448912
1400	1412	30x3,0	2,0	-	-	1478	1447	3,464	1	0448914
1600	1612	30x3,0	2,0	-	-	1678	1647	3,908	1	0448916

■ Sound absorption element DHL



Ventilation pipe clamp with sound absorption element DHL



Sound absorption element DHL



Specification:

Connection: for M8, M10
 Sound insulation: according to DIN 4109

Technical data:

Material: steel
 Material type: S235JR
 Surface: galvanized
 Sound insulation: SBR lining
 Temperature resistance: - 35 °C up to + 100 °C

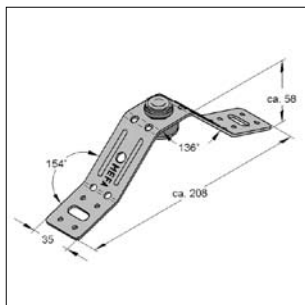
Identification	Thread	max. load [kN]	Weight [kg/pc.]	Packing [pcs.]	Part-No.
Sound absorption element DHL	M8	2,5	0,084	50	0783301
Sound absorption element DHL	M10	3,0	0,085	50	0783302

■ Ducting strap with sound absorption

08



Ducting strap with sound absorption with ventilation pipe



Ducting strap with sound absorption



Specification:

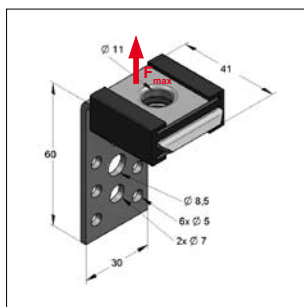
Connection: for M8, M10
 Sound insulation: according to DIN 4109

Technical data:

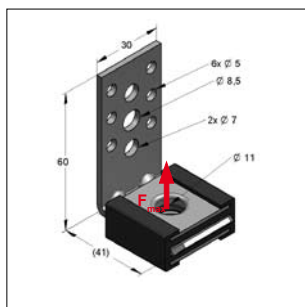
Material: steel
 Material type: S235JR
 Surface: galvanized
 Sound insulation: SBR lining
 Temperature resistance: - 35 °C up to + 100 °C

Identification	Material [mm]	max. load [kN]	Weight [kg/pc.]	Packing [pcs.]	Part-No.
Ducting strap with sound absorption	35 x 2,0	0,9	0,135	50	9998349

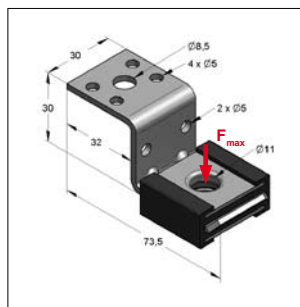
■ Duct holder soundproofed



Duct holder L hanging



Duct holder L standing



Duct holder Z hanging



Specification:

Application area: mounting of ventilation ducts
 Connection: threaded rod M8, M10
 Sound insulation: according to DIN 4109

Technical data:

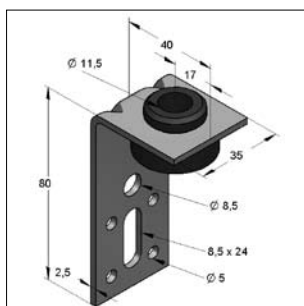
Material: steel
 Material type: DC01
 Surface: galvanized
 Sound insulation: EPDM lining
 Temperature resistance: - 35 °C up to + 100 °C

Duct holder L

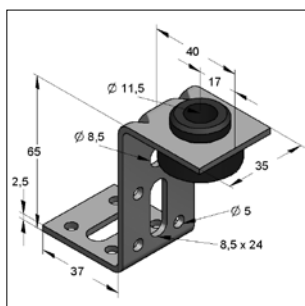
Identification	Length [mm]	Height [mm]	Sound absorption elements	Material [mm]	max. load		Weight [kg/pc.]	Packing [pcs.]	Part-No.
					F_{max} hanging [kN]	F_{max} standing [kN]			
Duct holder L	41,0	60,0	stuck	30 x 2,5	0,7	0,5	0,090	50	05900200

Duct holder Z

Duct holder Z	73,5	30,0	stuck	30 x 2,5	0,7	-	0,090	50	05900280
---------------	------	------	-------	----------	-----	---	-------	----	----------



L-duct holder



Z-duct holder



Specification:

Application area: mounting of ventilation ducts
 Connection: threaded rod M8, M10
 Sound insulation: according to DIN 4109

Technical data:

Material: steel
 Material type: S235JR
 Surface: galvanized
 Sound insulation: SBR lining
 Temperature resistance: - 35 °C up to + 100 °C

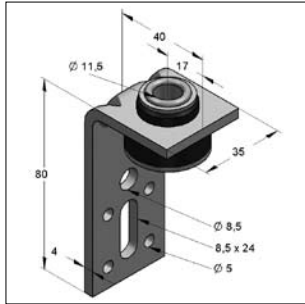
L-duct holder

Identification	Length [mm]	Sound absorption element	Material [mm]	max. load [kN]	Weight [kg/pc.]	Packing [pcs.]	Part-No.

Z-duct holder

SD-ZL	65	stuck	35 x 2,5	0,3	0,079	50	0590027
-------	----	-------	----------	-----	-------	----	---------

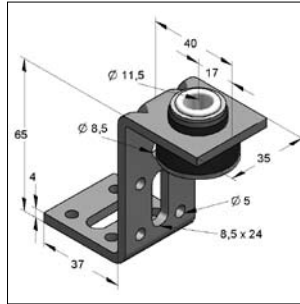
Duct holder, soundproofed



L-duct holder



duct holder SD-LLN 165
duct holder SD-LLN 255



Z-duct holder



Specification:

Application area: mounting of ventilation ducts
 Connection: threaded rod M8, M10
 Sound insulation: according to DIN 4109

Technical data:

Material: steel
 Material type: S235JR
 Surface: galvanized
 Sound insulation: SBR lining
 Temperature resistance: - 35 °C up to + 100 °C

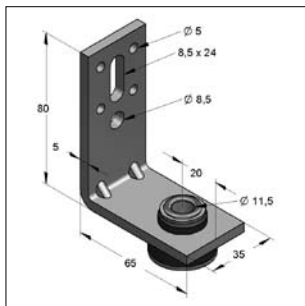
L-duct holder

Identification	Length [mm]	Sound absorption element	Material [mm]	max. load [kN]	Weight [kg/pc.]	Packing [pcs.]	Part-No.
SD-LSN	80	riveted	35 x 4,0	1,8	0,125	50	0590011
SD-LLN	165	riveted	35 x 2,5	0,9	0,159	50	9998373
SD-LLN	255	riveted	35 x 2,5	0,9	0,221	50	9998372

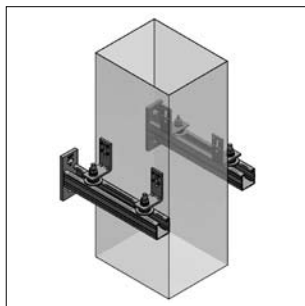
Z-duct holder

SD-ZSN	65	riveted	35 x 4,0	1,8	0,131	50	9998370
--------	----	---------	----------	-----	-------	----	---------

08



L-duct holder
for riser



Ventilation duct with
duct holder



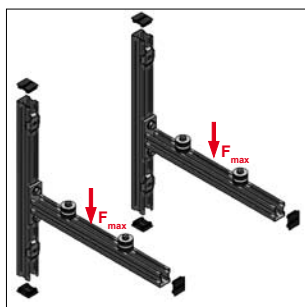
Remark:

Duct holder type SD-LSK has been especially designed for riser. The duct holder SD-LSK can bear loads up to max. 3,2 kN in case of 4 mounted duct holders at every mounting plane.

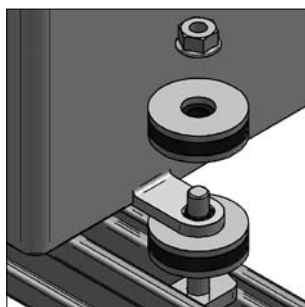
L-duct holder for riser

Identification	Length [mm]	Sound absorption element	Material [mm]	max. load [kN]	Weight [kg/pc.]	Packing [pcs.]	Part-No.
SD-LSK	80	riveted	35 x 5,0	0,8	0,175	50	9998376

■ Console-set, soundproofed



Console-set soundproofed



Insulation element, mounted



Specification:

Application area: mounting of air conditioning units

Sound insulation: according to DIN 4109

Scope of delivery:

Stex consoles 35/42/1,5 2 pieces
 sound absorption elements 4 pieces
 rail sections each 525 mm profile 35/42 2 pieces
 profile holders 4 pieces
 protecting caps 35/42 6 pieces
 threaded plates 4 pieces
 washers DIN EN ISO 7089 4 pieces
 hexagon screws DIN EN ISO 4017 4 pieces

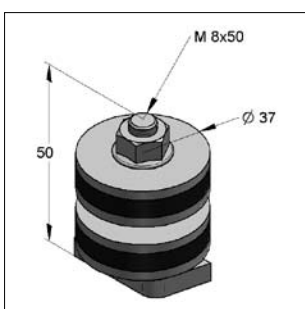
Technical data:

Material: steel
 Material type: S235JR
 Surface: galvanized
 Sound insulation: SBR lining
 Temperature resistance: - 35 °C up to + 100 °C

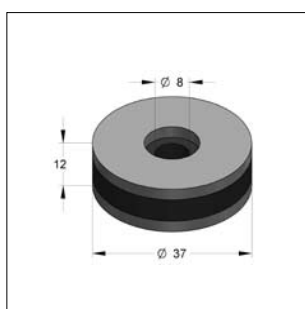
Remark: * max. allowable load per cantilever. Differing load situation see on page 2/6

Identification	Length [mm]	max. load* F _{max} [kN]	maximum total load [kN]	Stex	Weight [kg/pc.]	Packing [pc.]	Part-No.
Console-set 1	450	1,39	2,78	35/42	4,56	1	0813500450
Console-set 2	525	1,19	2,38	35/42	4,08	1	0813500526
Console-set 3	600	1,04	2,08	35/42	5,04	1	0813500600

■ Sound absorption element



Sound absorption element
with hammer head



Insulation element, single



Specification:

Application area: sound absorption element for direct mounting on consoles C for noise decoupled mounting

Load capacity: 1,3 kN (at deformation 1 mm)

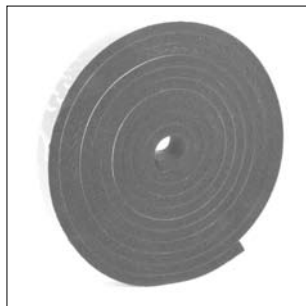
Sound insulation: according to DIN 4109

Technical data:

Material: steel
 Material type: S235JR
 Surface: galvanized
 Sound insulation: SBR lining
 Shore hardness (DIN 53505): 60 ± 5° Shore
 Temperature resistance: - 35 °C up to + 100 °C

Identification	for C-Profile	Hammer head	Weight [kg/pc.]	Packing [pc.]	Part-No.
Sound absorption element 35	35/21, STEX 35	M8x50 - 38x17	0,13	1	0783395
Sound absorption element 45	45/26, 45/45, 45/60, 45/75	M8x50 - 40x22	0,15	1	0783396
Insulation element, single			0,05	1	07833908

■ Insulating coat LK, self-adhesive



Insulating coat LK

Specification:

Application area: Sound insulation for suspensions of ventilation ducts according to DIN 4109

Sound insulation: according to DIN 4109

Building material class according to DIN 4102: B2

ÖNORM 8 3800/T1: B1

Technical data:

Material: closed-cell, synthetic rubber

Temperature resistance: - 40 °C up to + 105 °C

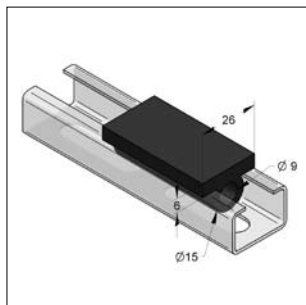
Insulation thickness: 13 mm

Thermal conductivity according to 52613: 0,040 W/mk

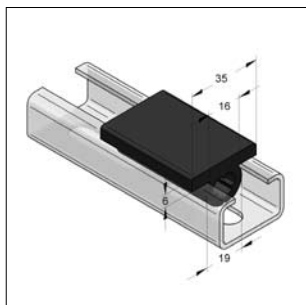
Identification	Dimension width x thickness [mm]	Packing [roll/m]	Covering packing [carton/m]	Part-No.
Insulating coat LK	25 x 13	2 x 3,5	10 x 3,5	7250025
Insulating coat LK	35 x 13	2 x 3,5	10 x 3,5	7250035
Insulating coat LK	45 x 13	2 x 3,5	10 x 3,5	7250045

■ C-profile lining EPDM

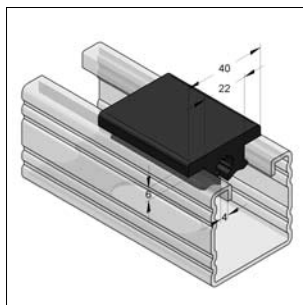
08



C-profile lining EPDM 27/18



C-profile lining EPDM 35



C-profile lining EPDM 45



Specification:

Connection: thread M8, M10

Sound insulation: according to DIN 4109

Technical data:

Material: EPDM lining

Temperature resistance: - 35 °C up to + 100 °C

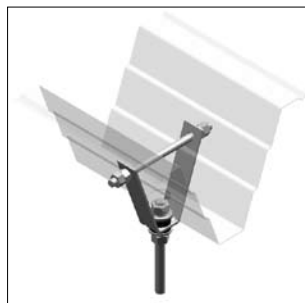
Identification	Packing [m/roll]	Part-No.
C-profile lining EPDM KG 27/18	20	7100019
C-profile lining EPDM KG 35	20	7100035
C-profile lining EPDM KG 45	10	7100045
STEX-rail rubber	20	1272019
STEX-rail rubber, section 50 mm	50 pieces	1272020

i allocation table profile rails see on following page

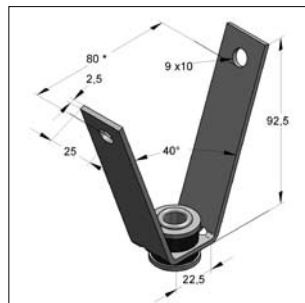
Allocation table for profile rails: C-profile lining EPDM - insulating coats

Profile rails	C-profile lining EPDM			STEX-rail rubber see chapter 2	Insulating coat		
	KG 27	KG 35	KG 45		LK 25x13	LK 35x13	LK 45x13
STEX 35				●		●	
27/18	●				●		
35/21		●				●	
45/26			●				●
45/45			●				●
45/52			●				●
45/60			●				●
45/75			●				●
45/90			●				●
45/120			●				●
45/150			●				●
Stainless steel							
45/40				●			●
45/80				●			●

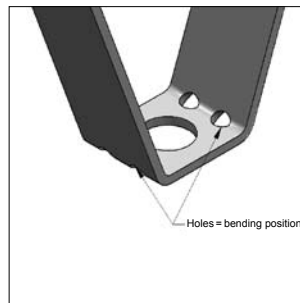
Trapeze hanger, soundproofed



Trapeze hanger
(mounting example)



Trapeze hanger
soundproofed



can bend open
up to 120 mm approx.



Specification:

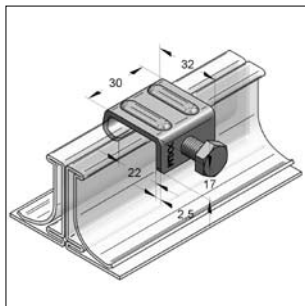
Connection: thread M8, M10
Sound insulation: according to DIN 4109

Technical data:

Material: steel
Material type: S235JR
Surface: galvanized
Sound insulation: SBR lining
Temperature resistance: - 35 °C up to + 100 °C
Insulation thickness: 6 mm

Identification	Material	max. load	Weight	Packing	Part-No.
	[mm]	[kN]	[kg/pc.]	[pcs.]	
Trapeze hanger LL A	25 x 2,5	0,8	0,121	100	0783840

■ Duct clamp



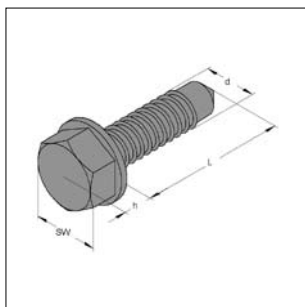
Duct clamp

Technical data:

Material:	steel
Material type:	S235JR
Surface:	galvanized

Identification	Material w x t [mm]	fastening torque [Nm]	Weight [kg/pc.]	Packing [pcs.]	Part-No.
Duct clamp	30 x 2,5	4,0	0,050	50	0593001

■ Drilling screw DIN 7504 K



Drilling screw

Technical data:

Material:	steel
Surface:	galvanized

Dimension d x L [mm]	h [mm]	Wrench size SW	Weight [kg/pc.]	Packing [pcs.]	Part-No.
4,2 x 13	4	7	0,0016	500	3700413
4,2 x 16	4	7	0,0018	500	3700416
4,2 x 19	4	7	0,0022	500	3700419

■ Duct sealing tape



Duct sealing tape

Specification:

Application
 area: sealing of ventilation ducts
 Attributes: - onesided self-adhesive
 - no triangular bond
 - chemical and weather proofed
 - no pull-off foil
 - building material class B2 (acc. DIN 4102)

Technical data:

Material: cell closed PE
 Bulk density: approx. 33 kg/ m³ (according to 54320)
 Tensile strength: 0,42 N/mm² (according to 53571)
 Shelf life: 1 year (at + 18 °C)
 Temperature resistance: - 30 °C up to + 80 °C
 Processing temperature: min. + 5 °C

Identification [mm]	Width [mm]	Insulation thickness [mm]	Length [m]	Packing [rolls]	Part-No.
Duct sealing tape 9x4	9	4	20	5	725110904
Duct sealing tape 12x4	12	4	20	5	725111204
Duct sealing tape 15x4	15	4	20	5	725111504

■ Duct sealing compound



Duct sealing compound

Specification:

Application
 area: sealing of ventilation shafts
 Attributes: - sealing of ventilation ducts and similar components
 - special sealing compound on dispersion base
 - solvent-free
 - suitable for canteen kitchen exhaust ducts

Technical data:

Fire performance: B1 (flame resistant/DIN 4102)
 Colour: grey
 Processing temperature: + 5 °C up to + 40 °C
 Temperature resistance: - 20 °C up to + 75 °C
 Shelf life, unopened: approx. 18 months
 at a stock temperature: + 5 °C up to + 25 °C

Identification	Capacity [ml]	Packaging	Packing [pcs.]	Part-No.
Duct sealing compound	310	cartridge	20	725100310

08

■ Cold shrink tape



Cold shrink tape

Specification:

Application
 area: sealing of ventilation ducts and folded spiral-seam pipe
 Colour: grey
 Attributes: - cold self-adhesive butyl rubber glue
 - coated with a stretchy PE foil

Technical data:

Adhesive power of steel during detach 90°: approx. 9 N/cm²
 Adhesive power of concrete during detach 90°: approx. 9 N/cm²
 Water vapour permeability: approx. 4 g/m²/24h
 Temperature resistance: - 30 °C up to + 80 °C
 Processing temperature: + 5 °C up to + 40 °C

Identification	Width [mm]	Length [m]	Packing [rolls]	Part-No.
Cold shrink tape	50	15	1	725120050
Cold shrink tape	75	15	1	725120070
Cold shrink tape	100	15	1	725120100

■ Weights for Ventilation ducts

Weight of the duct (kg/m) of galvanized metal ducts, **without** insulation
(Dimension of the duct Width x Height mm)

metal 0,75 mm			metal 0,88 mm							metal 1,0 mm						metal 1,13 mm						metal 1,25 mm				s
200	224	250	280	315	355	400	450	500	560	630	710	800	900	1000	1120	1250	1400	1600	1800	2000	2240	2500	2800	3150	B H	
4,9	5,2	5,6	7,0	7,5	8,1	8,7	9,4	10,2	12,5	13,7	15,0	16,5	18,1	19,8	24,6	27,0	29,8	33,5	37,3	41,0	50,3	55,6	61,8	69,0	200	
	5,5	5,9	7,3	7,8	8,4	9,1	9,8	10,5	12,9	14,1	15,4	16,9	18,5	20,2	25,0	27,5	30,3	34,0	37,7	41,4	50,8	56,1	62,3	69,5	224	
		6,2	7,7	8,2	8,8	9,4	10,2	10,9	13,4	14,5	15,8	17,3	19,0	20,6	25,5	27,9	30,7	34,5	38,2	41,9	51,3	56,7	62,8	70,1	250	
			8,1	8,6	9,2	9,9	10,6	11,3	13,8	15,0	16,3	17,8	19,5	21,1	26,1	28,5	31,3	35,0	38,7	42,5	51,9	57,3	63,5	70,7	280	
				9,1	9,7	10,4	11,1	11,8	14,4	15,6	16,9	18,4	20,0	21,7	26,7	29,2	31,9	35,7	39,4	43,1	52,6	58,0	64,2	71,4	315	
					10,3	11,0	11,7	12,4	15,1	16,2	17,6	19,0	20,7	22,3	27,5	29,9	32,7	36,4	40,1	43,9	53,5	58,8	65,0	72,2	355	
						11,6	12,3	13,1	15,8	17,0	18,3	19,8	21,4	23,1	28,3	30,7	33,5	37,3	41,0	44,7	54,4	59,8	65,9	73,2	400	
							13,1	13,8	16,6	17,8	19,1	20,6	22,3	23,9	29,2	31,7	34,5	38,2	41,9	45,6	55,4	60,8	67,0	74,2	450	
								14,5	17,5	18,6	19,9	21,4	23,1	24,7	30,2	32,6	35,4	39,1	42,8	46,6	56,5	61,8	68,0	75,2	500	
									18,5	19,6	20,9	22,4	24,1	25,7	31,3	33,7	36,5	40,2	44,0	47,7	57,7	63,1	69,2	76,4	560	
										20,8	22,1	23,6	25,2	26,9	32,6	35,0	37,8	41,5	45,3	49,0	59,1	64,5	70,7	77,9	630	
											23,4	24,9	26,5	28,2	34,1	36,5	39,3	43,0	46,8	50,5	60,8	66,1	72,3	79,5	710	
												26,4	28,0	29,7	35,8	38,2	41,0	44,7	48,4	52,2	62,6	68,0	74,2	81,4	800	
													29,7	31,3	37,6	40,1	42,8	46,6	50,3	54,0	64,7	70,1	76,2	83,5	900	
														33,0	39,5	41,9	44,7	48,4	52,2	55,9	66,8	72,1	78,3	85,5	1000	
															41,7	44,1	46,9	50,7	54,4	58,1	69,2	74,6	80,8	88,0	1120	
																46,6	49,4	53,1	56,8	60,5	71,9	77,3	83,5	90,7	1250	
																	52,2	55,9	59,6	63,3	75,0	80,4	86,5	93,8	1400	
																		59,6	63,3	67,1	79,1	84,5	90,7	97,9	1600	
																			67,1	70,8	83,2	88,6	94,8	102,0	1800	
																				74,5	87,4	92,7	98,9	106,1	2000	
																					92,3	97,7	103,9	111,1	2240	
																						103,0	109,2	116,4	2500	
																							115,4	122,6	2800	
																								129,8	3150	