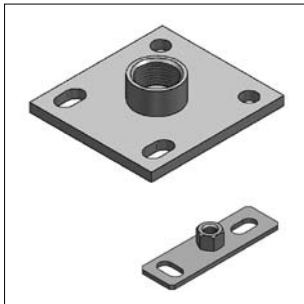
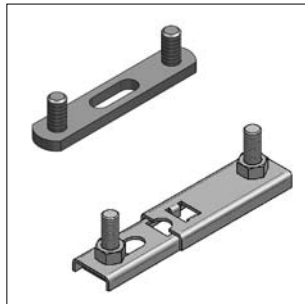


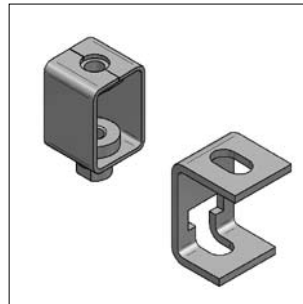
■ MEFA mounting accessories



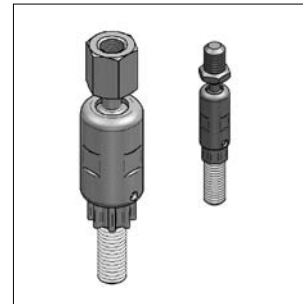
Base plates
Page 5/2



Double holder
Page 5/4



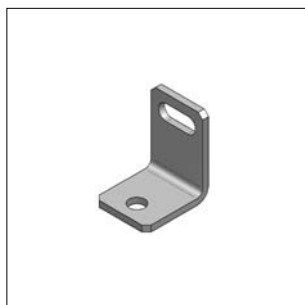
Height-adjustable suspensions
Page 5/5



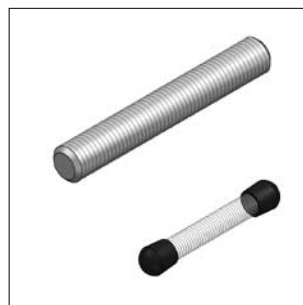
Pendular bolt joints
Page 5/6



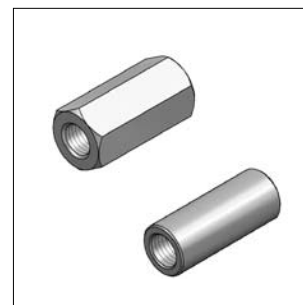
Trapeze hanger, Threaded hooks
Page 5/7



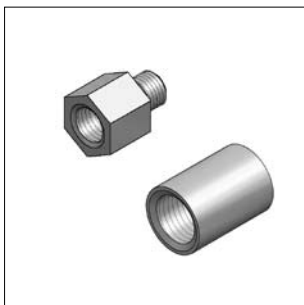
Distance angles
Page 5/8



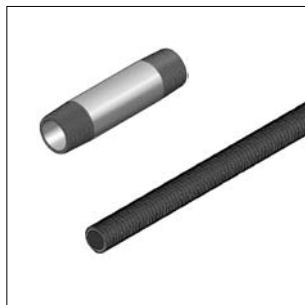
Threaded rods and bolts,
protecting caps
Page 5/9



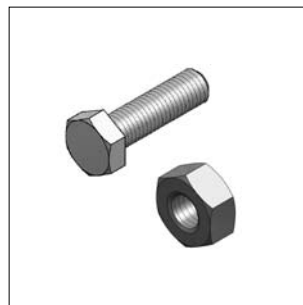
Threaded couplings, reducer
Page 5/11



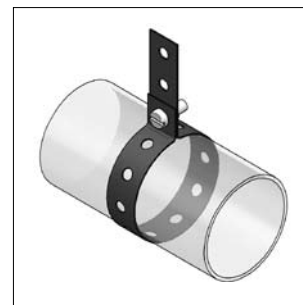
Reducer hexagon, reducing
adaptors
Page 5/12



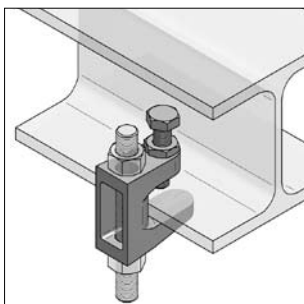
Double nipples, distance tubes
Page 5/13



Screws, nuts and washers
Page 5/14



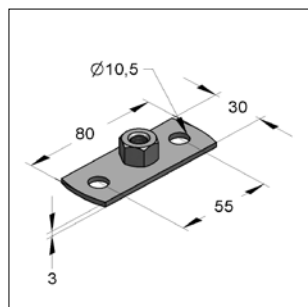
MEFA Plastahl
Page 5/21



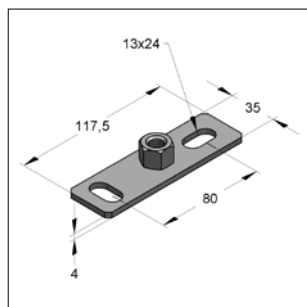
Girder clamps
Page 5/21

05

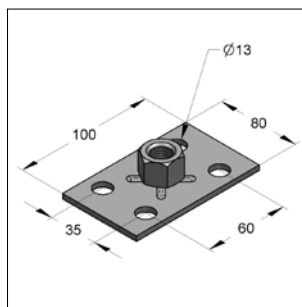
■ Base plates



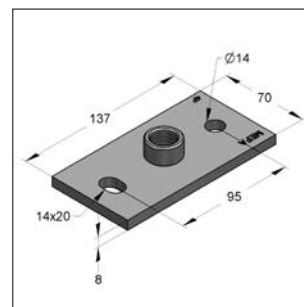
Base plate type 0



Base plate type I



Base plate type II



Base plate type III

Specification:

Application area: plates with threaded connection suitable for mounting on steel structure or profile rails.

Used for manufacturing pipe clamp connections via threaded pin/- rod or distance tube.

Remark: Please pay attention to specified distance of axis-center and edge in combination with approved anchors

Technical data:

Material: steel

Material type: S235JR

Surface: galvanized¹⁾

¹⁾ Components for outdoor application also available with Zinc-Nickel-coating (corrosion-protection class C3 acc. to ISO 9223). Delivery time on request!

05

Type 0

| Identification | Thread | Dimension plate length x width x thickness [mm] | Perforation [mm] | max. load suspension [kN] | Weight [Kg/pc.] | Packing [pcs.] | Part-No. |
|-------------------|--------|---|---------------------|---------------------------------|--------------------|-------------------|----------|
| Base plate type 0 | M8 | 80 x 30 x 3,0 | 10,5 | 1,05 | 0,063 | 50 | 05900008 |
| Base plate type 0 | M10 | 80 x 30 x 3,0 | 10,5 | 1,05 | 0,073 | 50 | 05900010 |

Type I

| | | | | | | | |
|-------------------|--------|------------------|-------------|------|-------|----|----------|
| Base plate type I | M8/M10 | 117,5 x 35 x 4,0 | 13,0 x 24,0 | 1,50 | 0,147 | 50 | 05900443 |
| Base plate type I | M12 | 117,5 x 35 x 4,0 | 13,0 x 24,0 | 1,50 | 0,137 | 50 | 0590061 |
| Base plate type I | M16 | 117,5 x 35 x 4,0 | 13,0 x 24,0 | 1,50 | 0,157 | 50 | 0590088 |
| Base plate type I | 1/2" | 117,5 x 35 x 4,0 | 13,0 x 24,0 | 1,50 | 0,137 | 50 | 0590045 |
| Base plate type I | 3/4" | 117,5 x 35 x 4,0 | 13,0 x 24,0 | 1,50 | 0,147 | 50 | 0590053 |

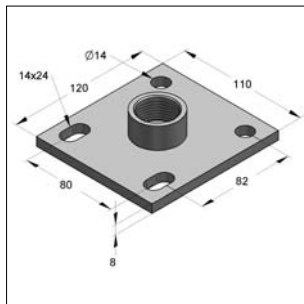
Type II

| | | | | | | | |
|--------------------|------|----------------|------|------|-------|----|---------|
| Base plate type II | M8 | 100 x 60 x 4,0 | 13,0 | 3,40 | 0,177 | 50 | 0590507 |
| Base plate type II | M10 | 100 x 60 x 4,0 | 13,0 | 3,40 | 0,185 | 50 | 0590541 |
| Base plate type II | M12 | 100 x 60 x 4,0 | 13,0 | 3,40 | 0,197 | 50 | 0590525 |
| Base plate type II | M16 | 100 x 60 x 4,0 | 13,0 | 3,40 | 0,210 | 50 | 0590533 |
| Base plate type II | 1/2" | 100 x 60 x 4,0 | 13,0 | 3,40 | 0,190 | 50 | 0590509 |
| Base plate type II | 3/4" | 100 x 60 x 4,0 | 13,0 | 3,40 | 0,204 | 50 | 0590517 |
| Base plate type II | 1" | 100 x 60 x 4,0 | 13,0 | 3,40 | 0,253 | 50 | 0590568 |

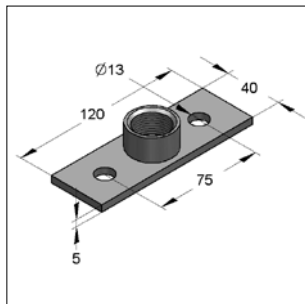
Type III

| | | | | | | | |
|---------------------|--------|----------------|-------------|------|-------|---|-----------|
| Base plate type III | M10 | 137 x 70 x 8,0 | 14,0 x 20,0 | 10,0 | 0,590 | 1 | 059060801 |
| Base plate type III | M12 | 137 x 70 x 8,0 | 14,0 x 20,0 | 10,0 | 0,590 | 1 | 059060601 |
| Base plate type III | M16 | 137 x 70 x 8,0 | 14,0 x 20,0 | 10,0 | 0,608 | 1 | 059060101 |
| Base plate type III | 1/2" | 137 x 70 x 8,0 | 14,0 x 20,0 | 10,0 | 0,608 | 1 | 059060201 |
| Base plate type III | 3/4" | 137 x 70 x 8,0 | 14,0 x 20,0 | 10,0 | 0,618 | 1 | 059059901 |
| Base plate type III | 1" | 137 x 70 x 8,0 | 14,0 x 20,0 | 10,0 | 0,648 | 1 | 059060001 |
| Base plate type III | 1 1/4" | 137 x 70 x 8,0 | 14,0 x 20,0 | 10,0 | 0,668 | 1 | 059060301 |
| Base plate type III | 1 1/2" | 137 x 70 x 8,0 | 14,0 x 20,0 | 10,0 | 0,724 | 1 | 059060501 |

■ Base plates



Base plate type IV



Base plate type V

Specification:

Application area: plates with threaded connection suitable for mounting on steel structure or profile rails.
Used for manufacturing pipe clamp connections via threaded pin/- rod or distance tube.

Remark: Please pay attention to specified distance of axis-center and edge in combination with approved anchors

Technical data:

Material: steel
Material type: S235JR
Surface: galvanized¹⁾

¹⁾ Components for outdoor application also available with Zinc-Nickel-coating (corrosion-protection class C3 acc. to ISO 9223). Delivery time on request!

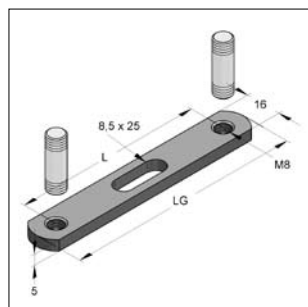
Type IV

| Identification | Thread | Dimension plate length x width x thickness [mm] | Perforation [mm] | max. load suspension [kN] | Weight [Kg/pc.] | Packing [pcs.] | Part-No. |
|---------------------------|---------------|---|---------------------|---------------------------------|--------------------|-------------------|----------|
| Base plate type IV | M16 | 120 x 110 x 8,0 | 14,0 x 24,0 | 14,0 | 1,030 | 1 | 0590555 |
| Base plate type IV | 1/2" | 120 x 110 x 8,0 | 14,0 x 24,0 | 14,0 | 1,003 | 1 | 0590556 |
| Base plate type IV | 3/4" | 120 x 110 x 8,0 | 14,0 x 24,0 | 14,0 | 1,024 | 1 | 0590557 |
| Base plate type IV | 1" | 120 x 110 x 8,0 | 14,0 x 24,0 | 14,0 | 1,078 | 1 | 0590558 |
| Base plate type IV | 1 1/4" | 120 x 110 x 8,0 | 14,0 x 24,0 | 14,0 | 1,095 | 1 | 0590559 |

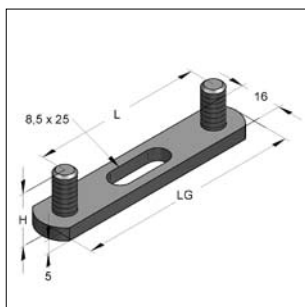
Type V

| | | | | | | | |
|--------------------------|-------------|----------------|------|-----|-------|----|---------|
| Base plate type V | 1/2" | 120 x 40 x 5,0 | 13,0 | 2,7 | 0,210 | 50 | 0590586 |
| Base plate type V | 3/4" | 120 x 40 x 5,0 | 13,0 | 2,7 | 0,230 | 50 | 0590587 |
| Base plate type V | 1" | 120 x 40 x 5,0 | 13,0 | 2,7 | 0,265 | 25 | 0590588 |

Double holder



Double holder



Double holder MD

Specification:

Double holder: suitable for threaded bolts with female thread in different lengths, without threaded bolt
 Double holder MD: with fixed threaded pin

Technical data:

Material: steel
 Surface: galvanized

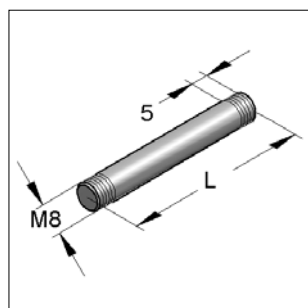
Double holder

| Identification | L [mm] | Female thread [mm] | Dimension | | Weight [Kg/pc.] | Packing [pcs.] | Part-No. |
|----------------|-----------|-----------------------|------------|-----------|--------------------|-------------------|----------|
| | | | LG [mm] | H [mm] | | | |
| Double holder | 65 | M8 | 87,0 | - | 0,041 | 100 | 0763071 |
| Double holder | 85 | M8 | 105,5 | - | 0,053 | 100 | 0763098 |
| Double holder | 105 | M8 | 125,5 | - | 0,066 | 100 | 0763128 |
| Double holder | 160 | M8 | 181,0 | - | 0,098 | 100 | 0763160 |

Double holder MD

| | | | | | | | |
|------------------|-----|----|-------|------|-------|----|---------|
| Double holder MD | 65 | M8 | 85,0 | 20,0 | 0,054 | 50 | 0760048 |
| Double holder MD | 105 | M8 | 125,0 | 20,0 | 0,080 | 50 | 0760056 |

Threaded bolt



Threaded bolt

Specification:

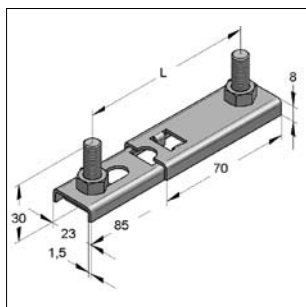
Application area: suitable for double holder with female thread

Technical data:

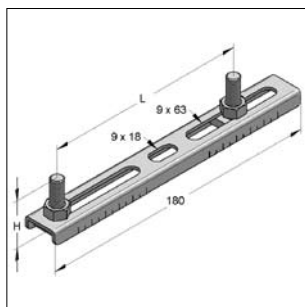
Material: steel
 Surface: galvanized

| Identification | L [mm] | Male thread | Thread length [mm] | Weight [Kg/pc.] | Packing [pcs.] | Part-No. |
|----------------|-----------|-------------|-----------------------|--------------------|-------------------|----------|
| Threaded bolt | 13 | M8 | 5 | 0,004 | 100 | 0766151 |
| Threaded bolt | 25 | M8 | 5 | 0,009 | 100 | 0766259 |
| Threaded bolt | 35 | M8 | 5 | 0,012 | 100 | 0766356 |
| Threaded bolt | 45 | M8 | 5 | 0,016 | 100 | 0766453 |
| Threaded bolt | 55 | M8 | 5 | 0,020 | 100 | 0766550 |
| Threaded bolt | 65 | M8 | 5 | 0,023 | 100 | 0766658 |

Double holder movable



Double holder VS



Double holder VSG

Specification:

Double holder VS: length can be telescopic adjusted, with threaded bolts and nuts
 Double holder VSG: adjustable distance of the threaded bolts, with threaded bolts and nuts

Technical data:

Material: steel
 Material type: S235JR
 Surface: galvanized

Double holder VS

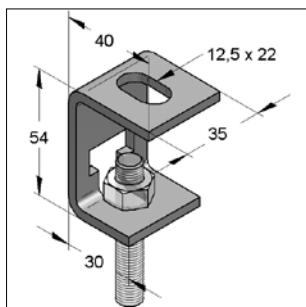
| Identification | L [mm] | Threaded bolt | H [mm] | Weight [Kg/pc.] | Packing [pcs.] | Part-No. |
|------------------|----------|---------------|--------|-----------------|----------------|----------|
| Double holder VS | 65 - 110 | M8 x 30 | 30 | 0,100 | 100 | 0590199 |

Double holder VSG

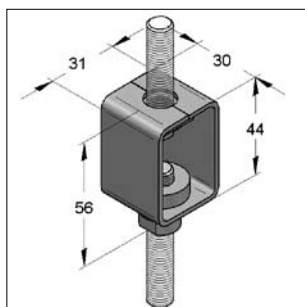
| | | | | | | |
|-------------------|----------|---------|----|-------|----|---------|
| Double holder VSG | 46 - 154 | M8 x 20 | 20 | 0,118 | 50 | 0590118 |
| Double holder VSG | 46 - 154 | M8 x 30 | 30 | 0,122 | 50 | 0590126 |
| Double holder VSG | 46 - 154 | M8 x 40 | 40 | 0,125 | 50 | 0590134 |
| Double holder VSG | 46 - 154 | M8 x 50 | 50 | 0,132 | 50 | 0590142 |

05

Height-adjustable suspension



Suspended bracket type T



Height adjuster

Specification:

Application area: suitable for single mounting with threaded rods on the ceiling; stepless height-adjustment
 Suspended bracket type T: suitable threaded rods: M8, M10, M12

Technical data:

Material: steel
 Surface: galvanized

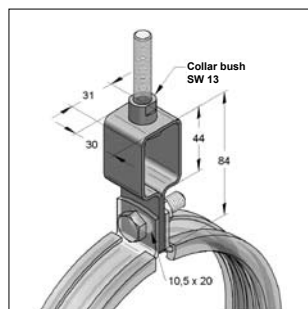
Suspended bracket

| Identification | max. load [kN] | Adjustable height [mm] | Weight [Kg/pc.] | Packing [pcs.] | Part-No. |
|--------------------------|----------------|------------------------|-----------------|----------------|----------|
| Suspended bracket type T | 1,5 | 36 | 0,090 | 100 | 0781100 |

Height adjuster

| | | | | | |
|-----------------------------|-----|----|-------|----|---------|
| Height adjuster M8 / SMU8 | 3,0 | 30 | 0,085 | 50 | 0783021 |
| Height adjuster M10 / SMU10 | 3,0 | 30 | 0,096 | 50 | 0783110 |
| Height adjuster M12 / SMU12 | 3,0 | 30 | 0,097 | 50 | 0783251 |

■ Height-adjustable suspension



Height regulator

Specification:

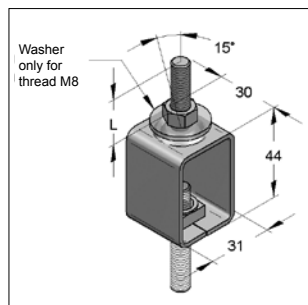
Application area: suitable for single mounting with threaded rods under ceiling; stepless height-adjustment

Technical data:

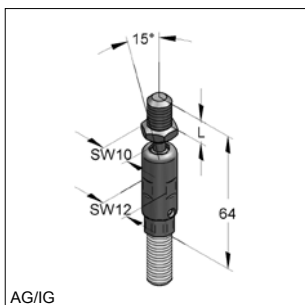
Material: steel
Material type: S235JR
Surface: galvanized

| Identification | max. load [kN] | Adjustable height [mm] | Weight [Kg/pc.] | Packing [pcs.] | Part-No. |
|-----------------------------|-------------------|---------------------------|--------------------|-------------------|----------|
| Height regulator M8 | 3,0 | 30 | 0,118 | 50 | 0780014 |
| Height regulator M10 | 3,0 | 30 | 0,115 | 50 | 0780022 |
| Height regulator M12 | 3,0 | 30 | 0,111 | 50 | 0780030 |

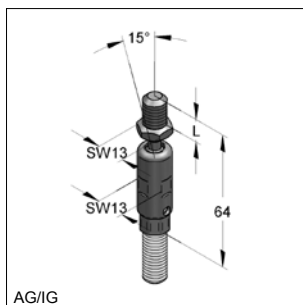
■ Pendular bolt joints



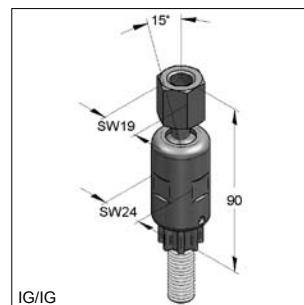
Pendulum hanger



Pendular bolt joint M8/M8



Pendular bolt joint M10/M10



Pendular bolt joint M12/M12

Specification:

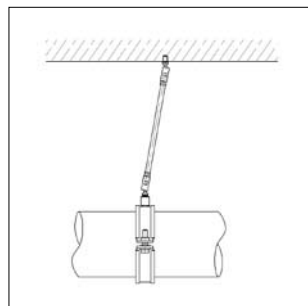
Pendular bolt joint with inspection hole to check the thread depth of threaded rods

Technical data:

Material: steel
Surface: galvanized

Pendulum hanger: height adjustment and pendulum function

| Identification | Connection | Thread length L [mm] | max. load [kN] | Weight [Kg/pc.] | Packing [pcs.] | Part-No. |
|------------------------------------|------------|-------------------------|-------------------|--------------------|-------------------|----------|
| Pendulum hanger M8/M8 | - | 22 | 2,5 | 0,095 | 50 | 0784031 |
| Pendulum hanger M10/M10 | - | 22 | 3,0 | 0,105 | 50 | 0784136 |
| Pendulum hanger M12/M12 | - | 20 | 3,6 | 0,130 | 50 | 0784250 |
| Pendular bolt joint M8/M8 | AG / IG | 15 | 2,5 | 0,04 | 50 | 0788088 |
| Pendular bolt joint M10/M10 | AG / IG | 13 | 2,5 | 0,04 | 50 | 0788108 |
| Pendular bolt joint M12/M12 | IG / IG | - | 5,0 | 0,14 | 50 | 0788128 |

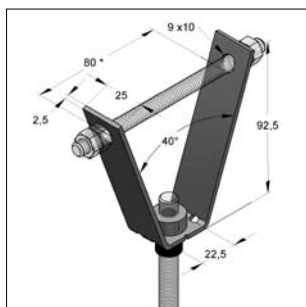


Remark:

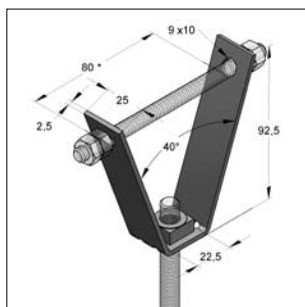
For stainless pipe mounting always two pendulum joints are required

i max. absortional tube extension when using pendular bolt joint see chapter 15

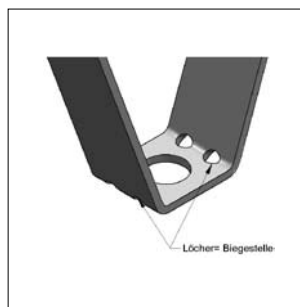
Trapeze hanger



Trapeze hanger with height regulator



Trapeze hanger with welded nut



can bend open (up to approx. 120 mm)



VdS-approval number:
G4930025 with connection
M8 and M10, up to OD 50

Specification:

Mounting instruction: trapeze hanger with threaded rod should be mounted via the lateral holes.
For mounting the pipelines and ventilation ducts directly under a trapeze sheeting.

Needed accessory: threaded bolt M8 / 110
hexagon nut M8, DIN EN ISO 4032

Technical data:

Material: steel
Material type: S235JR
Surface: galvanized

* not approved according to VdS

With mounted height-adjustment nut

| Identification | Threaded connection | max. load [kN] | Weight [Kg/pc.] | Packing [pcs.] | Part-No. |
|---------------------|---------------------|----------------|-----------------|----------------|----------|
| Trapeze hanger MU-B | M8 | 2,0 | 0,116 | 100 | 0783803 |
| Trapeze hanger MU-B | M10 | 2,0 | 0,118 | 100 | 0783838 |

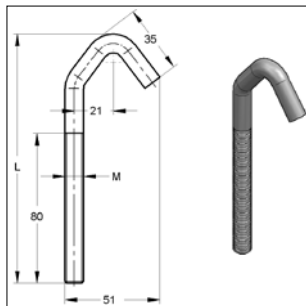
With welded nut for mounting rails

| | | | | | |
|----------------------|-----|-----|-------|-----|---------|
| Trapeze hanger MU-S | M8 | 2,0 | 0,099 | 100 | 0783900 |
| Trapeze hanger MU-S | M10 | 2,0 | 0,104 | 100 | 0783935 |
| Trapeze hanger MU-S* | M12 | 2,0 | 0,110 | 100 | 0783950 |

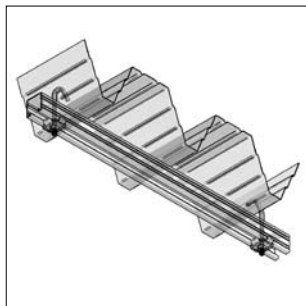
With hole

| | | | | | |
|------------------------------|--|-----|-------|-----|---------|
| Trapeze hanger hole 16,5 mm* | | 2,0 | 0,113 | 100 | 0783801 |
|------------------------------|--|-----|-------|-----|---------|

Threaded hook



Threaded hook



Mounting example

Specification:

Application area: for mounting the pipelines and ventilation ducts directly under a trapeze sheeting

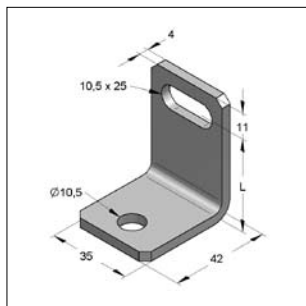
Technical data:

Material: steel
Surface: galvanized

| Identification | Dimension M x L [mm] | Weight [Kg/pc.] | Packing [pcs.] | Part-No. |
|----------------|----------------------------|--------------------|-------------------|----------|
| Threaded hook | M8 x 130 | 0,054 | 50 | 0592131 |
| Threaded hook | M10 x 130 | 0,086 | 50 | 0592132 |

05

Distance angle



Distance angle E

Technical data:

Material: steel
Material type: S235JR
Surface: galvanized

| Identification | L [mm] | Weight [Kg/pc.] | Packing [pc.] | Part-No. |
|------------------|-----------|--------------------|------------------|----------|
| Distance angle E | 25 | 0,066 | 1 | 0630268 |
| Distance angle E | 30 | 0,070 | 1 | 0630306 |
| Distance angle E | 35 | 0,078 | 1 | 0630357 |
| Distance angle E | 40 | 0,081 | 1 | 0630403 |
| Distance angle E | 50 | 0,094 | 1 | 0630500 |
| Distance angle E | 60 | 0,106 | 1 | 0630608 |
| Distance angle E | 70 | 0,114 | 1 | 0630705 |
| Distance angle E | 80 | 0,125 | 1 | 0630802 |
| Distance angle E | 90 | 0,139 | 1 | 0630918 |
| Distance angle E | 100 | 0,148 | 1 | 0631000 |

■ Protection cap, round



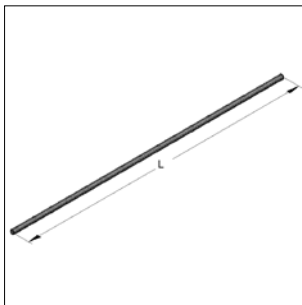
Protection cap, round

Technical data:

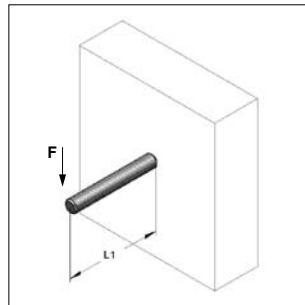
Material: plastic
Colour: black

| Identification | Thread | Weight [Kg/pc.] | Packing [pcs.] | Part-No. |
|----------------|--------|-----------------|----------------|----------|
| Protection cap | M8 | 0,0010 | 100 | 0730008 |
| Protection cap | M10 | 0,0025 | 100 | 0730010 |
| Protection cap | M12 | 0,0075 | 100 | 0730012 |

■ Threaded rods



Threaded rod



| Admissible load* on bending | | | | |
|-----------------------------|-----------|------------|------------|------------|
| Distance L [mm] | M8 F [kN] | M10 F [kN] | M12 F [kN] | M16 F [kN] |
| 50 | 0,10 | 0,20 | 0,34 | 0,87 |
| 100 | 0,04 | 0,10 | 0,17 | 0,43 |
| 150 | 0,02 | 0,05 | 0,11 | 0,29 |
| 200 | 0,01 | 0,03 | 0,06 | 0,21 |
| 250 | | 0,02 | 0,04 | 0,13 |
| 300 | | 0,01 | 0,03 | 0,09 |
| 350 | | | 0,02 | 0,07 |
| 400 | | | 0,01 | 0,05 |

* $f_y = 235 \text{ N/mm}^2$, safety factor = 1,5, E-module=210.000 N/mm²
max. deflection $f = L/150$ related to tensile stress area

Specification:

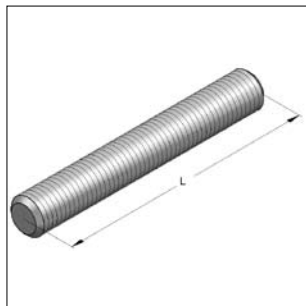
according to DIN EN ISO 976-1
Thread: M8, M10, M12, M16
Length: 1000 up to 3000 mm

Technical data:

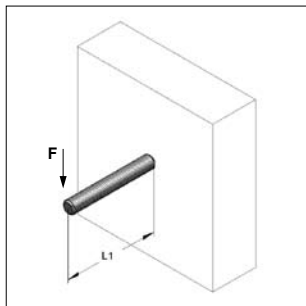
Material: steel
Surface: galvanized
Property class: 4.6

| Identification | Thread | L [mm] | Limited tractive force max. [kN] | FWD | | | Weight [kg/m] | Packing [pcs.] | Part-No. |
|----------------|--------|--------|----------------------------------|---------|---------|---------|---------------|----------------|----------|
| | | | | 30 [kN] | 60 [kN] | 90 [kN] | | | |
| Threaded rod | M8 | 1000 | 8,96 | 0,79 | 0,45 | 0,34 | 0,31 | 50 | 0730084 |
| Threaded rod | M8 | 2000 | 8,96 | 0,79 | 0,45 | 0,34 | 0,31 | 1 | 0730289 |
| Threaded rod | M8 | 3000 | 8,96 | 0,79 | 0,45 | 0,34 | 0,31 | 1 | 0730483 |
| Threaded rod | M10 | 1000 | 14,20 | 1,26 | 0,72 | 0,55 | 0,50 | 25 | 0730106 |
| Threaded rod | M10 | 2000 | 14,20 | 1,26 | 0,72 | 0,55 | 0,50 | 1 | 0730300 |
| Threaded rod | M10 | 3000 | 14,20 | 1,26 | 0,72 | 0,55 | 0,50 | 1 | 0730505 |
| Threaded rod | M12 | 1000 | 20,64 | 1,83 | 1,05 | 0,8 | 0,72 | 25 | 0730122 |
| Threaded rod | M12 | 2000 | 20,64 | 1,83 | 1,05 | 0,8 | 0,72 | 1 | 0730327 |
| Threaded rod | M12 | 3000 | 20,64 | 1,83 | 1,05 | 0,8 | 0,72 | 1 | 0730521 |
| Threaded rod | M16 | 1000 | 38,43 | 3,42 | 1,95 | 1,49 | 1,30 | 10 | 0730165 |
| Threaded rod | M16 | 2000 | 38,43 | 3,42 | 1,95 | 1,49 | 1,30 | 1 | 0730378 |
| Threaded rod | M16 | 3000 | 38,43 | 3,42 | 1,95 | 1,49 | 1,30 | 1 | 0730564 |

Threaded bolts



Threaded bolt



Admissible load* on bending

| Distance L [mm] | M8 F [kN] | M10 F [kN] | M12 F [kN] | M16 F [kN] |
|--------------------|--------------|---------------|---------------|---------------|
| 50 | 0,10 | 0,20 | 0,34 | 0,87 |
| 100 | 0,04 | 0,10 | 0,17 | 0,43 |
| 150 | 0,02 | 0,05 | 0,11 | 0,29 |
| 200 | 0,01 | 0,03 | 0,06 | 0,21 |
| 250 | | 0,02 | 0,04 | 0,13 |
| 300 | | 0,01 | 0,03 | 0,09 |
| 350 | | | 0,02 | 0,07 |
| 400 | | | 0,01 | 0,05 |

* $f_y = 235 \text{ N/mm}^2$, safety factor = 1,5, E-module=210.000 N/mm²
max. deflection $f = L/150$ related to tensile stress area

Specification:

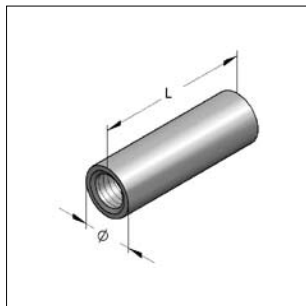
according to DIN EN ISO 976-1
Thread: M8, M10, M12, M16
Length: 20 up to 160 mm

Technical data:

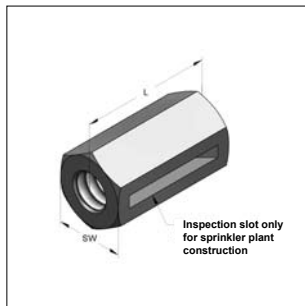
Material: steel
Surface: galvanized
Property class: 4.6

| Identification | Thread | L [mm] | Limited tractive force max. [kN] | FWD | | | Weight [Kg/pc.] | Packing [pcs.] | Part-No. |
|----------------------|------------|-----------|--|------------|------------|------------|--------------------|-------------------|----------|
| | | | | 30 [kN] | 60 [kN] | 90 [kN] | | | |
| Threaded bolt | M8 | 20 | 8,96 | 0,79 | 0,45 | 0,34 | 0,006 | 100 | 0730815 |
| Threaded bolt | M8 | 30 | 8,96 | 0,79 | 0,45 | 0,34 | 0,009 | 100 | 0730823 |
| Threaded bolt | M8 | 35 | 8,96 | 0,79 | 0,45 | 0,34 | 0,010 | 100 | 0731358 |
| Threaded bolt | M8 | 40 | 8,96 | 0,79 | 0,45 | 0,34 | 0,012 | 100 | 0730831 |
| Threaded bolt | M8 | 50 | 8,96 | 0,79 | 0,45 | 0,34 | 0,015 | 100 | 0730858 |
| Threaded bolt | M8 | 70 | 8,96 | 0,79 | 0,45 | 0,34 | 0,021 | 100 | 0730874 |
| Threaded bolt | M8 | 90 | 8,96 | 0,79 | 0,45 | 0,34 | 0,027 | 100 | 0730890 |
| Threaded bolt | M8 | 110 | 8,96 | 0,79 | 0,45 | 0,34 | 0,034 | 100 | 0730912 |
| Threaded bolt | M8 | 140 | 8,96 | 0,79 | 0,45 | 0,34 | 0,041 | 100 | 0730940 |
| Threaded bolt | M8 | 160 | 8,96 | 0,79 | 0,45 | 0,34 | 0,049 | 100 | 0730963 |
| Threaded bolt | M10 | 20 | 14,20 | 1,26 | 0,72 | 0,55 | 0,010 | 100 | 0731021 |
| Threaded bolt | M10 | 25 | 14,20 | 1,26 | 0,72 | 0,55 | 0,012 | 100 | 0731032 |
| Threaded bolt | M10 | 30 | 14,20 | 1,26 | 0,72 | 0,55 | 0,014 | 100 | 0731048 |
| Threaded bolt | M10 | 35 | 14,20 | 1,26 | 0,72 | 0,55 | 0,016 | 100 | 0733350 |
| Threaded bolt | M10 | 40 | 14,20 | 1,26 | 0,72 | 0,55 | 0,019 | 100 | 0731056 |
| Threaded bolt | M10 | 50 | 14,20 | 1,26 | 0,72 | 0,55 | 0,023 | 100 | 0731064 |
| Threaded bolt | M10 | 70 | 14,20 | 1,26 | 0,72 | 0,55 | 0,033 | 100 | 0731072 |
| Threaded bolt | M10 | 90 | 14,20 | 1,26 | 0,72 | 0,55 | 0,044 | 100 | 0731099 |
| Threaded bolt | M10 | 110 | 14,20 | 1,26 | 0,72 | 0,55 | 0,052 | 50 | 0731110 |
| Threaded bolt | M12 | 35 | 20,64 | 1,83 | 1,05 | 0,8 | 0,023 | 50 | 0731234 |
| Threaded bolt | M12 | 50 | 20,64 | 1,83 | 1,05 | 0,8 | 0,035 | 50 | 0731250 |
| Threaded bolt | M12 | 70 | 20,64 | 1,83 | 1,05 | 0,8 | 0,049 | 50 | 0731269 |
| Threaded bolt | M12 | 90 | 20,64 | 1,83 | 1,05 | 0,8 | 0,063 | 50 | 0731293 |
| Threaded bolt | M12 | 110 | 20,64 | 1,83 | 1,05 | 0,8 | 0,077 | 50 | 0731315 |
| Threaded bolt | M16 | 70 | 38,43 | 3,42 | 1,95 | 1,49 | 0,090 | 25 | 0731672 |
| Threaded bolt | M16 | 110 | 38,43 | 3,42 | 1,95 | 1,49 | 0,144 | 25 | 0731715 |
| Threaded bolt | M16 | 160 | 38,43 | 3,42 | 1,95 | 1,49 | 0,208 | 25 | 0731763 |

Threaded coupling



Threaded coupling, round



Threaded coupling hexagon
(version with inspection slot)

Specification:

Application area: For extension of threaded rods.

Hexagonal distance sleeve with checking taps, for sprinkler installations.

Remark: Fire loads on demand

Technical data:

Material: steel

Surface: galvanized¹⁾

¹⁾ Components for outdoor application also available with Zinc-Nickel-coating (corrosion-protection class C3 acc. to ISO 9223). Delivery time on request!

Threaded coupling, round

| Identification | Female thread | L [mm] | OD [mm] | SW [mm] | Weight [Kg/pc.] | Packing [pcs.] | Part-No. |
|--------------------------|---------------|-----------|---------|---------|-----------------|----------------|----------|
| Threaded coupling, round | M6 | 25 | 10 | - | 0,010 | 100 | 0700010 |
| Threaded coupling, round | M8 | 30 | 11 | - | 0,012 | 100 | 0700029 |
| Threaded coupling, round | M10 | 40 | 13 | - | 0,019 | 100 | 0700037 |
| Threaded coupling, round | M12 | 40 | 15 | - | 0,024 | 100 | 0700045 |
| Threaded coupling, round | M16 | 50 | 22 | - | 0,079 | 25 | 0700053 |

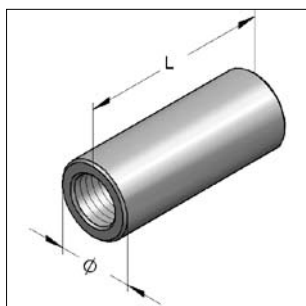
Threaded coupling hexagon

| | | | | | | | |
|----------------------------|------------|-----------|---|----|-------|-----|---------|
| Threaded coupling, hexagon | M8 | 30 | - | 13 | 0,027 | 100 | 0700084 |
| Threaded coupling, hexagon | M10 | 40 | - | 17 | 0,054 | 50 | 0700104 |
| Threaded coupling, hexagon | M12 | 40 | - | 19 | 0,063 | 50 | 0700126 |
| Threaded coupling, hexagon | M16 | 50 | - | 24 | 0,123 | 25 | 0700167 |

Threaded coupling hexagon, with inspection hole

| | | | | | | | |
|---|-----------|-----------|---|----|-------|-----|---------|
| Threaded coupling hexagon, with inspection hole | M8 | 25 | - | 13 | 0,027 | 100 | 0700092 |
|---|-----------|-----------|---|----|-------|-----|---------|

Reducing socket



Reducing socket, round

Specification:

Version: round

Remark: Fire loads on demand

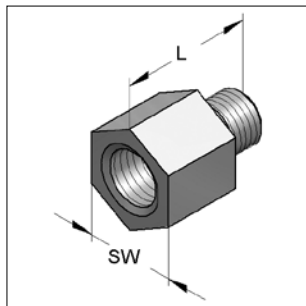
Technical data:

Material: steel

Surface: galvanized

| Identification | Female threads | L [mm] | OD [mm] | Weight [Kg/pc.] | Packing [pcs.] | Part-No. |
|-----------------|------------------|--------|---------|-----------------|----------------|----------|
| Reducing socket | M8 / M10 | 40 | 16 | 0,054 | 100 | 0710016 |
| Reducing socket | M8 / M12 | 40 | 16 | 0,040 | 100 | 0710024 |
| Reducing socket | M10 / M12 | 40 | 16 | 0,037 | 100 | 0710032 |
| Reducing socket | M12 / M16 | 40 | 22 | 0,073 | 25 | 0710105 |

■ Reducer hexagon



Reducer hexagon

Specification:

Version: hexagon
Female- and male thread

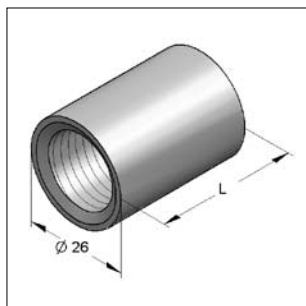
Technical data:

Material: steel
Surface: galvanized

| Identification | Thread female/male | Wrench size | L [mm] | Drilling hole depth [mm] | Thread length [mm] | Weight [Kg/pc.] | Packing [pcs.] | Part-No. |
|------------------|--------------------|-------------|--------|--------------------------|--------------------|-----------------|----------------|----------|
| Reducer, hexagon | M8 / M10 | 13 | 21 | 8,0 | 8 | 0,015 | 100 | 0725528 |
| Reducer, hexagon | M10 / M8 | 13 | 23 | 8,0 | 10 | 0,013 | 100 | 0720518 |
| Reducer, hexagon | M10 / M12 | 13 | 23 | 10,0 | 10 | 0,015 | 100 | 0720496 |
| Reducer, hexagon | M12 / M10 | 17 | 25 | 10,0 | 10 | 0,025 | 100 | 0720011 |
| Reducer, hexagon | M16 / M12 | 24 | 32 | 10,0 | 15 | 0,063 | 50 | 0726508 |
| Reducer, hexagon | 1/2" / M12 | 24 | 29 | 11,0 | 8 | 0,045 | 50 | 0726509 |
| Reducer, hexagon | 1/2" / M16 | 30 | 35 | 13,5 | 11 | 0,095 | 25 | 0726510 |

05

■ Reducing adaptor



Reducing adaptor

Specification:

Application area: for all MEFA pipe clamps with welded nut M8 or M10.
Applicable as transition for M8 or M10 to 1/2".

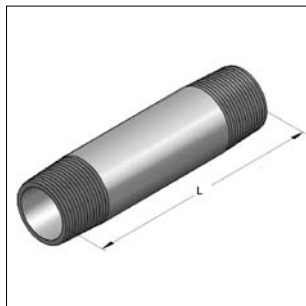
Version M8: suited threaded bolt M8x20
Version M10: suited threaded bolt M10x20

Technical data:

Material: steel
Surface: galvanized

| Dimension | Female thread | L [mm] | Weight [Kg/pc.] | Packing [pcs.] | Part-No. |
|------------------|-----------------|--------|-----------------|----------------|----------|
| Reducing adaptor | M8/ 1/2" | 36 | 0,080 | 50 | 0590304 |
| Reducing adaptor | M10/1/2" | 36 | 0,078 | 50 | 0590401 |

Double nipple



Double nipple

Specification:

Length: 40 up to 150 mm

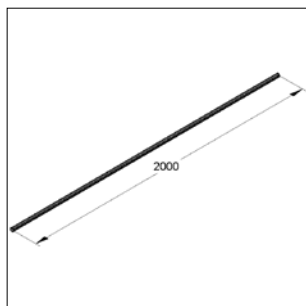
Technical data:

Material: steel
Surface: galvanized

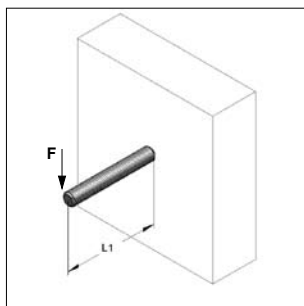
| Identification | Thread | L [mm] | Weight [Kg/pc.] | Packing [pc.] | Part-No. |
|----------------|--------|-----------|--------------------|------------------|----------|
| Double nipple | 1/2" | 40 | 0,037 | 1 | 0700403 |
| Double nipple | 1/2" | 60 | 0,063 | 1 | 0700603 |
| Double nipple | 1/2" | 80 | 0,085 | 1 | 0700803 |
| Double nipple | 1/2" | 100 | 0,119 | 1 | 0701003 |
| Double nipple | 1/2" | 120 | 0,142 | 1 | 0701203 |
| Double nipple | 1/2" | 150 | 0,162 | 1 | 0701503 |

05

Distance tube



Distance tube



Admissible load* on bending

| Distance L [mm] | 1/2" F [kN] | 3/4" F [kN] | 1" F [kN] | 1 1/4" F [kN] |
|--------------------|----------------|----------------|--------------|------------------|
| 50 | 1,482 | 2,940 | 5,350 | 10,362 |
| 100 | 0,741 | 1,470 | 2,675 | 5,181 |
| 150 | 0,494 | 0,980 | 1,783 | 3,454 |
| 200 | 0,371 | 0,735 | 1,337 | 2,591 |
| 250 | 0,290 | 0,588 | 1,070 | 2,072 |
| 300 | 0,201 | 0,490 | 0,892 | 1,727 |
| 350 | 0,148 | 0,380 | 0,764 | 1,480 |
| 400 | 0,113 | 0,291 | 0,665 | 1,295 |
| 450 | 0,089 | 0,230 | 0,525 | 1,151 |
| 500 | 0,072 | 0,186 | 0,425 | 1,036 |

* at $\sigma_{max} = 160 \text{ N/mm}^2$, max. deflection $f = L/150$

Specification:

Version: tube with male thread
Thread: according to DIN EN ISO 228 „G“

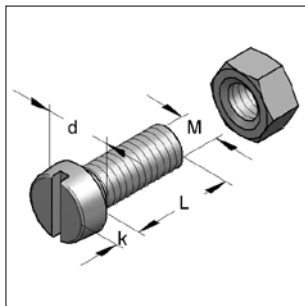
Technical data:

Material: steel
Surface: galvanized

¹⁾ Components for outdoor application also available with Zinc-Nickel-coating (corrosion-protection class C3 acc. to ISO 9223). Delivery time on request!

| Identification | Thread | Length [mm] | Weight [Kg/pc.] | Packing [m] | Part-No. |
|----------------|--------|----------------|--------------------|----------------|----------|
| Distance tube | 1/2" | 2000 | 1,66 | 2 | 0737002 |
| Distance tube | 3/4" | 2000 | 2,76 | 2 | 0737003 |
| Distance tube | 1" | 2000 | 3,94 | 2 | 0737004 |
| Distance tube | 1 1/4" | 2000 | 5,94 | 2 | 0737005 |

■ Slotted screw



Slotted screw

Specification:

Scope of delivery: with nut according to
DIN EN ISO 4032

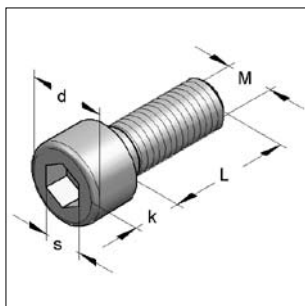
Technical data:

Material: steel
Surface: galvanized
Property class: 4.6

| Identification | Thread | L [mm] | d [mm] | k [mm] | Weight [Kg/pc.] | Packing [pcs.] | Part-No. |
|----------------------|-----------|-----------|-----------|-----------|--------------------|-------------------|----------|
| Slotted screw | M6 | 20 | 10 | 3,9 | 0,008 | 100 | 3220060 |
| Slotted screw | M8 | 20 | 13 | 5,0 | 0,015 | 100 | 3220095 |

05

■ Allen screw



Allen screw

Specification:

according to DIN EN ISO 4762
Version: Allen head with metric thread
Application area: for mounting of C-profile rail in
profile back

Technical data:

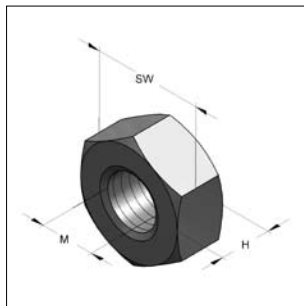
Material: steel
Surface: galvanized¹⁾

Needed accessory: washer according to DIN EN ISO 7089

¹⁾ Components for outdoor application also available with Zinc-Nickel-coating (corrosion-protection class C3 acc. to ISO 9223). Delivery time on request!

| Identification | Thread | L [mm] | s [mm] | d [mm] | k [mm] | Weight [Kg/pc.] | Packing [pcs.] | Part-No. |
|--------------------|------------|-----------|-----------|-----------|-----------|--------------------|-------------------|----------|
| Allen screw | M8 | 16 | 6 | 13 | 8 | 0,012 | 100 | 3443167 |
| Allen screw | M8 | 20 | 6 | 13 | 8 | 0,013 | 100 | 3443205 |
| Allen screw | M10 | 20 | 8 | 16 | 10 | 0,025 | 100 | 3444200 |
| Allen screw | M10 | 25 | 8 | 16 | 10 | 0,026 | 100 | 3444252 |
| Allen screw | M12 | 25 | 10 | 18 | 12 | 0,035 | 100 | 3445259 |

Hexagon nut



Hexagon nut

Specification:

according to DIN EN ISO 4032

Technical data:

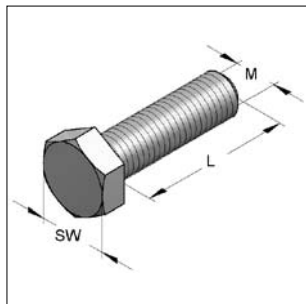
Material: steel

Surface: galvanized

¹⁾ Components for outdoor application also available with Zinc-Nickel-coating (corrosion-protection class C3 acc. to ISO 9223). Delivery time on request!

| Identification | Thread M | Height H [mm] | Wrench size SW | Weight [Kg/pc.] | Packing [pcs.] | Part-No. |
|----------------|-------------|---------------------|-------------------|--------------------|-------------------|----------|
| Hexagon nut | M6 | 5,0 | 10 | 0,002 | 100 | 4120442 |
| Hexagon nut | M8 | 6,5 | 13 | 0,005 | 100 | 4120450 |
| Hexagon nut | M10 | 8,0 | 17 | 0,011 | 100 | 4120477 |
| Hexagon nut | M12 | 10,0 | 19 | 0,015 | 100 | 4120485 |
| Hexagon nut | M16 | 13,0 | 24 | 0,030 | 100 | 4120523 |

Hexagon screw



Hexagon screw

Specification:

according to DIN EN ISO 4017

Thread: M8, M10, M12

Length: 16 up to 60 mm

Technical data:

Material: steel

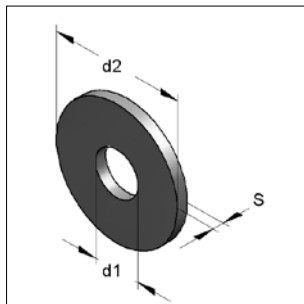
Surface: galvanized¹⁾

Property class: 8.8

¹⁾ Components for outdoor application also available with Zinc-Nickel-coating (corrosion-protection class C3 acc. to ISO 9223). Delivery time on request!

| Identification | Thread M | Wrench size SW | Length L [mm] | Weight [Kg/pc.] | Packing [pcs.] | Part-No. |
|----------------------|-------------|-------------------|---------------------|--------------------|-------------------|----------|
| Hexagon screw | M8 | 13 | 16 | 0,011 | 100 | 3204165 |
| | | | 20 | 0,012 | 100 | 3204205 |
| | | | 25 | 0,014 | 100 | 3204255 |
| | | | 30 | 0,015 | 100 | 3204305 |
| | | | 35 | 0,017 | 100 | 3204355 |
| | | | 40 | 0,018 | 100 | 3204405 |
| | | | 45 | 0,020 | 100 | 3204455 |
| Hexagon screw | M10 | 17 | 50 | 0,021 | 100 | 3204503 |
| | | | 16 | 0,020 | 100 | 3205162 |
| | | | 20 | 0,022 | 100 | 3205201 |
| | | | 25 | 0,024 | 100 | 3205251 |
| | | | 30 | 0,026 | 100 | 3205301 |
| | | | 35 | 0,028 | 100 | 3205302 |
| | | | 40 | 0,031 | 100 | 3205401 |
| Hexagon screw | M12 | 19 | 45 | 0,034 | 100 | 3206508 |
| | | | 50 | 0,036 | 100 | 3205501 |
| | | | 60 | 0,042 | 100 | 3206602 |
| | | | 20 | 0,033 | 100 | 3206205 |
| | | | 25 | 0,035 | 100 | 3206591 |
| | | | 30 | 0,038 | 100 | 3206305 |
| | | | 35 | 0,041 | 100 | 3206306 |
| | | | 40 | 0,044 | 100 | 3206606 |
| | | | 45 | 0,048 | 100 | 32066064 |
| | | | 50 | 0,052 | 100 | 32066065 |
| 55 | 0,056 | 100 | 320660655 | | | |
| 60 | 0,059 | 100 | 32066066 | | | |

Washer



Washer

(according to DIN EN-ISO 7089)

Specification:

reinforced washer with enlarged outer diameter, enlarged surface, improved pressure distribution

Technical data:

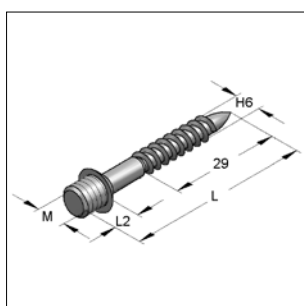
Material: steel
Surface: galvanized¹⁾

¹⁾ Components for outdoor application also available with Zinc-Nickel-coating (corrosion-protection class C3 acc. to ISO 9223). Delivery time on request!

| Identification | Dimension d1 x d2 x S [mm] | DIN EN-ISO | Weight [Kg/pc.] | Packing [pcs.] | Part-No. |
|--------------------------|----------------------------------|---------------|--------------------|-------------------|----------|
| Washer | 6,4 x 12,0 x 1,6 | 7089 | 0,001 | 100 | 4320247 |
| Washer | 8,4 x 16,0 x 1,6 | 7089 | 0,002 | 100 | 4320255 |
| Washer | 10,5 x 20,0 x 2,0 | 7089 | 0,003 | 100 | 4320263 |
| Washer | 13,0 x 24,0 x 2,5 | 7089 | 0,006 | 100 | 4320271 |
| Reinforced washer | 5,3 x 15,0 x 1,6 | 7093-1 | 0,002 | 100 | 4330226 |
| Reinforced washer | 6,4 x 18,0 x 1,6 | 7093-1 | 0,003 | 100 | 4330242 |
| Reinforced washer | 8,4 x 24,0 x 2,0 | 7093-1 | 0,007 | 100 | 4330250 |
| Reinforced washer | 10,5 x 30,0 x 2,5 | 7093-1 | 0,012 | 100 | 4330269 |
| Reinforced washer | 13,0 x 37,0 x 3,0 | 7093-1 | 0,022 | 100 | 4330277 |
| Reinforced washer | 17,0 x 50,0 x 3,0 | 7093-1 | 0,041 | 100 | 4330285 |
| Reinforced washer | 8,4 x 35,0 x 3,0 | - | 0,021 | 100 | 4350847 |
| Reinforced washer | 10,5 x 35,0 x 3,0 | - | 0,021 | 100 | 4351053 |
| Reinforced washer | 13,0 x 30,0 x 2,5 | - | 0,011 | 100 | 4351282 |
| Reinforced washer | 8,4 x 44,0 x 3,5 | - | 0,040 | 100 | 4350850 |
| Reinforced washer | 10,5 x 44,0 x 3,5 | - | 0,039 | 100 | 4351059 |
| Reinforced washer | 13,5 x 44,0 x 3,5 | - | 0,043 | 100 | 4351344 |
| Reinforced washer | 17,0 x 44,0 x 3,5 | - | 0,036 | 100 | 4351744 |

05

Bolt screw



Bolt screw

with wood- and metric thread

Specification:

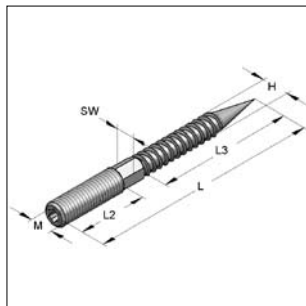
Version: with wood- and metric thread

Technical data:

Material: steel
Surface: galvanized

| Identification | Thread | | L2 [mm] | Recommended anchor | Weight [Kg/pc.] | Packing [pcs.] | Part-No. |
|-------------------|-----------|------------|------------|-----------------------|--------------------|-------------------|----------|
| | M | L [mm] | | | | | |
| Bolt screw | M6 | 50 | 7 | 8 x 40 | 0,008 | 100 | 3616053 |
| Bolt screw | M6 | 80 | 7 | 8 x 40 | 0,013 | 100 | 3616088 |
| Bolt screw | M8 | 120 | 7 | 10 x 50 | 0,028 | 100 | 3618129 |

Hanger bolt



Hanger bolt
multi-tooth TX 25

Specification:

Version: with wood- and metric thread
multi-tooth TX 25
* Specification without multi-tooth TX 25

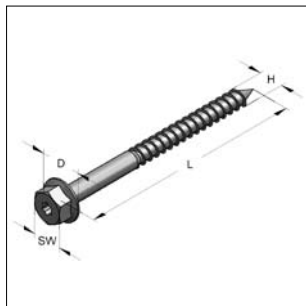
Technical data:

Material: steel
Surface: galvanized

| Identification | Thread | | H [mm] | L2 [mm] | L3 [mm] | Wrench size hexagon SW | Recomm. anchor | Weight [Kg/pc.] | Packing [pcs.] | Part-No. |
|--------------------|------------|-------------|-----------|------------|------------|------------------------------|-------------------|--------------------|-------------------|----------|
| | M | L [mm] | | | | | | | | |
| Hanger bolt | M6 | 60* | 6,0 | 25 | 35 | without | 8x44 | 0,010 | 100 | 3600025 |
| Hanger bolt | M8 | 50 | 6,7 | 13 | 35 | without | 10 x 44 | 0,011 | 100 | 3600032 |
| Hanger bolt | M8 | 60 | 6,7 | 20 | 35 | without | 10 x 44 | 0,013 | 100 | 3600033 |
| Hanger bolt | M8 | 80 | 6,7 | 32 | 35 | 6 | 10 x 60 | 0,019 | 100 | 3600041 |
| Hanger bolt | M8 | 100 | 6,7 | 40 | 45 | 6 | 10 x 60 | 0,024 | 100 | 3600068 |
| Hanger bolt | M8 | 120 | 6,7 | 50 | 45 | 6 | 10 x 60 | 0,029 | 100 | 3608123 |
| Hanger bolt | M8 | 140 | 6,7 | 40 | 57 | 6 | 10 x 60 | 0,035 | 100 | 3608131 |
| Hanger bolt | M8 | 160 | 6,7 | 40 | 57 | 6 | 10 x 60 | 0,043 | 100 | 3608166 |
| Hanger bolt | M10 | 60 | 8,8 | 20 | 27 | without | 12 x 60 | 0,027 | 100 | 3609063 |
| Hanger bolt | M10 | 80 | 8,8 | 20 | 45 | 8 | 12 x 60 | 0,029 | 100 | 3609081 |
| Hanger bolt | M10 | 100 | 8,8 | 30 | 57 | 8 | 12 x 60 | 0,036 | 50 | 3609103 |
| Hanger bolt | M10 | 120 | 8,8 | 40 | 57 | 8 | 12 x 60 | 0,046 | 50 | 3609138 |
| Hanger bolt | M10 | 140 | 8,8 | 40 | 57 | 8 | 12 x 60 | 0,057 | 50 | 3609146 |
| Hanger bolt | M10 | 180 | 8,9 | 40 | 57 | 8 | 12 x 60 | 0,076 | 50 | 3609189 |
| Hanger bolt | M12 | 100* | 10,3 | 22 | 57 | 10 | 14 x 80 | 0,054 | 50 | 3609510 |

05

Wood screw with washer



Wood screw with washer

Specification:

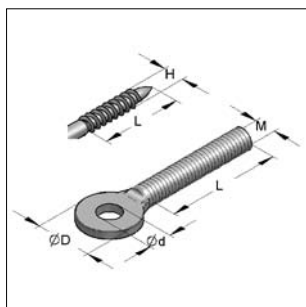
Version: with contact pressed washer

Technical data:
Material: steel
Surface: galvanized

| Identification | Thread | | Wrench size SW | Torx drive | D x t [mm] | Recommended anchor K2 | Weight [Kg/pc.] | Packing [pcs.] | Part-No. |
|------------------------|--------|-----------|-------------------|------------|---------------|--------------------------|--------------------|-------------------|-----------|
| | H | L [mm] | | | | | | | |
| Wood screw with washer | 8 | 50 | 13 | - | 25 x 1,5 | 10 x 44 | 0,022 | 100 | 3500012 |
| Wood screw with washer | 8 | 60 | 13 | - | 25 x 1,5 | 10 x 44 | 0,025 | 100 | 3500020 |
| Wood screw with washer | 8 | 70 | 13 | 30 | 18 x 2,0 | 10 x 60 | 0,025 | 100 | 350003918 |
| Wood screw with washer | 8 | 80 | 13 | 30 | 18 x 2,0 | 10 x 60 | 0,029 | 100 | 350004718 |
| Wood screw with washer | 8 | 90 | 13 | - | 25 x 1,5 | 10 x 60 | 0,033 | 100 | 3500055 |
| Wood screw with washer | 8 | 100 | 13 | - | 25 x 1,5 | 10 x 60 | 0,036 | 100 | 3500063 |
| Wood screw with washer | 10 | 70 | 17 | - | 30 x 2,5 | 12 x 60 | 0,051 | 25 | 3500101 |
| Wood screw with washer | 10 | 80 | 17 | - | 30 x 2,5 | 12 x 60 | 0,055 | 25 | 3500128 |

05

Eye screw



Eye screw

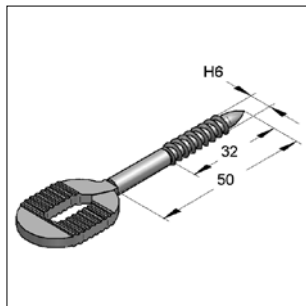
Specification:

Version: with wood (H)- and metric (M) thread

Technical data:
Material: steel
Surface: galvanized

| Identification | Thread | L [mm] | Ø D [mm] | Ø d [mm] | Weight [Kg/pc.] | Packing [pcs.] | Part-No. |
|----------------|--------|-----------|-------------|-------------|--------------------|-------------------|----------|
| | | | | | | | |
| Eye screw | M6 | 40 | 14 | 7,0 | 0,010 | 100 | 1190016 |
| Eye screw | M8 | 20 | 21 | 8,5 | 0,014 | 100 | 1190059 |
| Eye screw | M8 | 45 | 21 | 8,5 | 0,022 | 100 | 1190024 |
| Eye screw | M10 | 20 | 25 | 12,0 | 0,023 | 100 | 1190040 |
| Eye screw | M10 | 45 | 25 | 12,0 | 0,035 | 100 | 1190032 |

■ Elongated hole screw



Elongated hole screw

Specification:

Version: with wood thread

Technical data:

Material: steel
Surface: galvanized

| Identification | Thread | Weight [Kg/pc.] | Packing [pcs.] | Part-No. |
|----------------------|--------|-----------------|----------------|----------|
| Elongated hole screw | H 6 | 0,022 | 100 | 1140019 |

05

■ Countersunk woodscrew



Countersunk woodscrew

Specification:

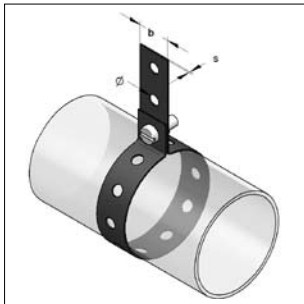
Version: Countersunk woodscrew with torx drive

Technical data:

Material: steel
Surface: galvanized

| Identification | Dimension | | Torx drive | Recommended anchor | Weight [kg/100] | Packing [pcs.] | Part-No. |
|-----------------------|-----------|--------|------------|----------------------|-----------------|----------------|-----------|
| | H [mm] | L [mm] | | | | | |
| Countersunk woodscrew | 4,0 | 40 | 20 | K2 5x25 K2 6x33 | 0,216 | 1000 | 372040040 |
| Countersunk woodscrew | 4,5 | 45 | 20 | K2 6x33 K2 8x44 | 0,320 | 500 | 372045045 |
| Countersunk woodscrew | 5,0 | 50 | 25 | K2 8x44 | 0,444 | 500 | 372050050 |
| Countersunk woodscrew | 6,0 | 60 | 30 | K2 10x44 K2 10x60 | 0,750 | 200 | 372060060 |

MEFA Plastahl



Mounting steel belt -
PLASTAHL

Specification:

Application: suspension of round and squared channel ducts

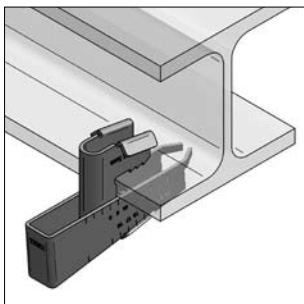
Technical data:

max. load against breaking: determined safety factor 3

| Identification | Dimension width | Steel band [mm] | OD [mm] | max. load [kN] | Delivery length [m] | Weight [kg/roll] | Packing [m] | Part-No. |
|----------------------------------|-----------------|-----------------|---------|----------------|---------------------|------------------|-------------|----------|
| PLASTAHL - plastic coated | 19 | 17 x 0,8 | 6,4 | 0,8 | 10 | 1,195 | 10 | 1100017 |
| PLASTAHL - plastic coated | 27 | 25 x 1,0 | 8,4 | 1,4 | 10 | 1,920 | 10 | 1100025 |
| Steel band, galvanized | 17 | 17 x 0,8 | 6,4 | 0,8 | 10 | 0,820 | 10 | 1110012 |
| Steel band, galvanized | 25 | 25 x 1,0 | 8,4 | 1,4 | 10 | 1,500 | 10 | 1110020 |

05

Girder clamp TKM



Girder clamp TKM



G 413 001



Specification:

Application area: fast and simple mounting at steel structures and profiles

Mounting: Girder clamp for stroking by hammer (3 graduation marks).

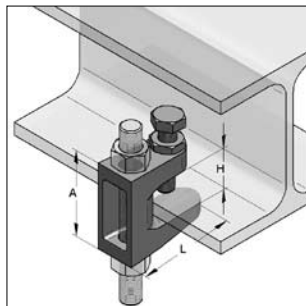
* not approved according to FM

Technical data:

Material: steel
Surface: galvanized
Approval: VdS and FM
VdS G 413001

| Identification | clamping range [mm] | for threaded rod | max. load F_z [kN] | Weight [Kg/pc.] | Packing [pc.] | Part-No. |
|---------------------------------|---------------------|------------------|----------------------|-----------------|---------------|----------|
| Girder clamp TKM 1 M 8 * | 8 - 20 | M6-M8 | 2,0 | 0,159 | 25 | 05799908 |
| Girder clamp TKM 2 M10 | 8 - 20 | M10 | 3,5 | 0,161 | 25 | 05799910 |
| Girder clamp TKM 3 M12 | 8 - 20 | M12 | 5,0 | 0,167 | 25 | 05799912 |
| Girder clamp TKM 4 M16 | 11 - 26 | M16 | 10,0 | 0,290 | 16 | 05799916 |

Girder clamp, cast iron



G 400 0005
G 403 0026
G 491 0044

Girder clamp, cast iron

Specification:

Application area: fast and simple mounting at steel structures and profiles
Variable height-adjustment: possible via hole possible via thread
Clamboltg screw: stepless adjustment of different clamboltg strengths

Technical data:

Material: malleable cast iron
Surface: galvanized
Approval: VdS and FM (starting with M10) approved
1) VdS-approval number: G 400 0005
2) VdS-approval number: G 491 0044
3) VdS-approval number: G 403 0026

With hole

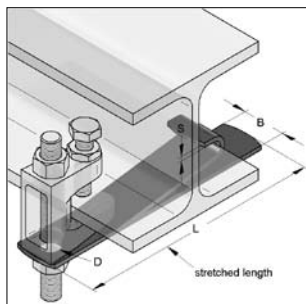
| Identification | Thread | Borehole [mm] | L [mm] | A [mm] | H [mm] | max. load [kN] | Weight [Kg/pc.] | Packing [pcs.] | Part-No. |
|-----------------------------------|---------|---------------|--------|--------|--------|----------------|-----------------|----------------|----------|
| Girder clamp TKN 8 ¹⁾ | for M8 | 9 | 38 | 35 | 18 | 1,2 | 0,081 | 50 | 0579458 |
| Girder clamp TKN 10 ¹⁾ | for M10 | 11 | 44 | 42 | 20 | 2,5 | 0,143 | 50 | 0579460 |
| Girder clamp TK 12 ²⁾ | for M12 | 13 | 58 | 54 | 26 | 3,5 | 0,216 | 50 | 0579462 |
| Girder clamp TK 16 ³⁾ | for M16 | 17 | 58 | 58 | 28 | 5,5 | 0,318 | 50 | 0579448 |

With thread

| | | | | | | | | | |
|-----------------------------------|-----|---|----|----|----|-----|-------|----|---------|
| Girder clamp TKN 8 ¹⁾ | M8 | - | 32 | 37 | 18 | 1,2 | 0,081 | 50 | 0579558 |
| Girder clamp TKN 10 ¹⁾ | M10 | - | 44 | 42 | 20 | 2,5 | 0,143 | 50 | 0579560 |
| Girder clamp TK 12 ²⁾ | M12 | - | 58 | 54 | 26 | 3,5 | 0,216 | 50 | 0579562 |
| Girder clamp TK 16 ³⁾ | M16 | - | 58 | 58 | 26 | 5,5 | 0,318 | 50 | 0579548 |

mounting example see chapter 15

Safety lug



Safety lug

Specification:

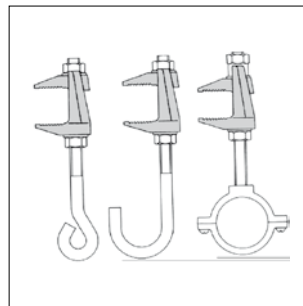
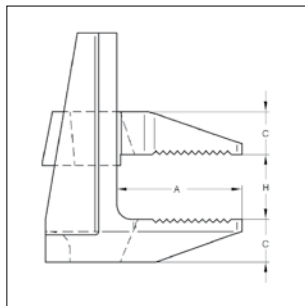
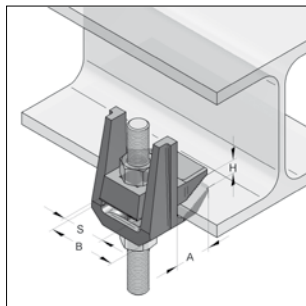
Application: for stationary sprinkler plant constructions according to VdS codes.
Recommended for pipes above 3"

Technical data:

Material: steel
Material type: S235JR
Surface: galvanized

| Identification | Type | for OD | Drilling D [mm] | Material length x width x thickness [mm] | Weight [Kg/pc.] | Packing [pcs.] | Part-No. |
|----------------|------|---------|-----------------|--|-----------------|----------------|----------|
| Safety lug | S 3 | 3" - 4" | 10,5 | 300 x 25 x 3,0 | 0,145 | 50 | 0579303 |
| Safety lug | S 5 | 5" - 6" | 13,0 | 300 x 30 x 3,0 | 0,206 | 50 | 0579305 |
| Safety lug | S 8 | 8" | 17,0 | 300 x 45 x 3,0 | 0,269 | 50 | 0579308 |

■ Girder clamp F3, two-part



Girder clamp F3
two-part

Specification:

Application area: mounting of suspensions on steel girder up to 55 mm flange thickness
 Mounting: mounting in combination with hexagon screws, threaded rods or carriage bolt (not included)

* safety factor 4:1 against breaking

Technical data:

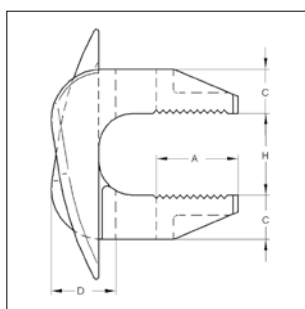
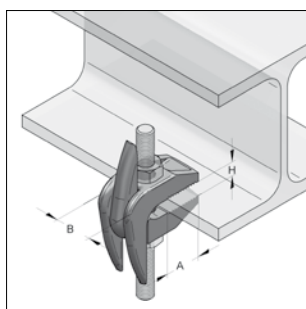
Material: malleable cast iron
 Surface: hot-dip galvanized

Remark: Not suitable for disposed flanges

| Identification | Type | Suited thread | max. load tensile* [kN] | Tightening torque (property class screw 4.6) [Nm] | Dimension | | | | | Weight [Kg/pc.] | Packing [pc.] | Part-No. |
|----------------|--------|---------------|-------------------------|---|-----------|--------|--------|--------|--------|-----------------|---------------|----------|
| | | | | | A [mm] | H [mm] | C [mm] | B [mm] | S [mm] | | | |
| Girder clamp | F3/M8 | M8 | 0,90 | 6 | 20 | 0-25 | 8 | 33 | 19 | 0,091 | 1 | 0579613 |
| Girder clamp | F3/M10 | M10 | 1,20 | 20 | 25 | 0-30 | 10 | 38 | 22 | 0,150 | 1 | 0579625 |
| Girder clamp | F3/M12 | M12 | 2,00 | 39 | 35 | 0-40 | 12 | 49 | 29 | 0,301 | 1 | 0579637 |
| Girder clamp | F3/M16 | M16 | 4,00 | 93 | 46 | 0-55 | 16 | 60 | 36 | 0,610 | 1 | 0579649 |

05

■ Girder clamp F9



Girder clamp F9

Specification:

Application area: mounting of strong walled steel girder up to 82 mm flange thickness.

Remark: Not suitable for disposed flanges

* safety factor 5:1 against breaking

Technical data:

Material: malleable cast iron
 Surface: galvanized

| Identification | Type | max. load tensile* [kN] | Tightening torque (property class screw 4.6) [Nm] | Dimension | | | | | Weight [Kg/pc.] | Packing [pc.] | Part-No. |
|----------------|--------|-------------------------|---|-----------|--------|--------|--------|--------|-----------------|---------------|----------|
| | | | | A [mm] | H [mm] | C [mm] | D [mm] | B [mm] | | | |
| Girder clamp | F9/M10 | 1,96 | 20,0 | 25 | 19-42 | 13 | 19 | 24 | 0,176 | 1 | 0579702 |
| Girder clamp | F9/M12 | 2,80 | 39,0 | 35 | 26-60 | 17 | 24 | 30 | 0,430 | 1 | 0579703 |
| Girder clamp | F9/M16 | 5,60 | 93,0 | 43 | 29-69 | 21 | 28 | 35 | 0,688 | 1 | 0579704 |
| Girder clamp | F9/M20 | 8,40 | 177,0 | 51 | 32-82 | 25 | 35 | 44 | 1,134 | 1 | 0579705 |