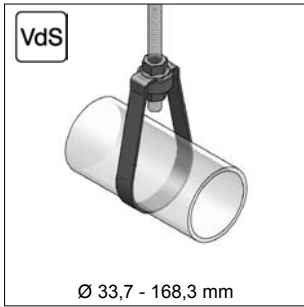


MEFA mounting systems for Sprinkler

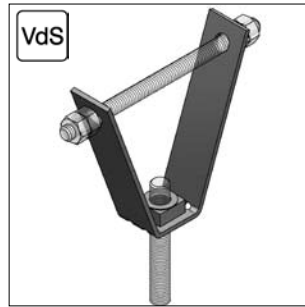
VdS-approved products for water extinguishing systems



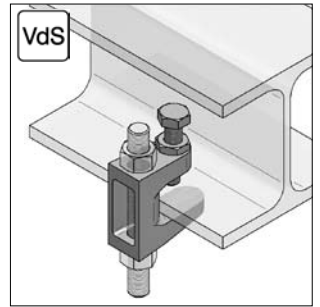
Ø 33,7 - 168,3 mm
Sprinkler pipe loop "S"
Page 12/3



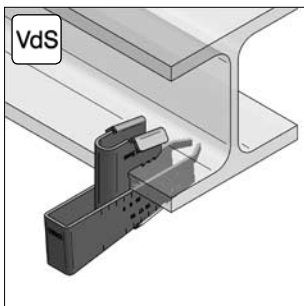
Ø 219,1 mm
U-bolt
See chapter 1



Trapeze hanger
See chapter 5

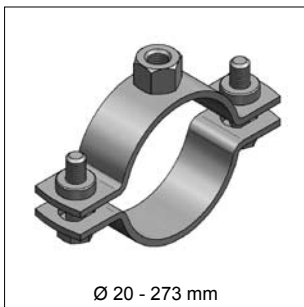


Girder clamp, cast iron
See chapter 5



Girder clamp TKM
See chapter 5

Pipe supports and components acc. to VdS CEA-guidelines for sprinkler systems VdS CEA 4001 "planning and installation"



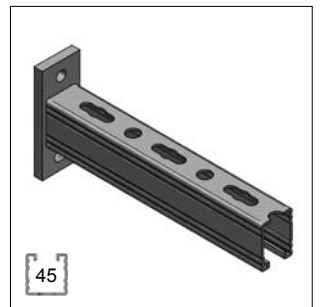
Ø 20 - 273 mm
Sprinkler pipe clamp "SP"
Page 12/4



Ø 21 - 324 mm
U-bolt
See chapter 1



Consoles with brace
See chapter 2

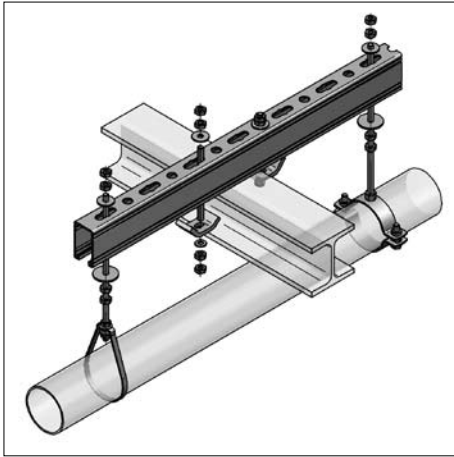


Consoles
See chapter 2

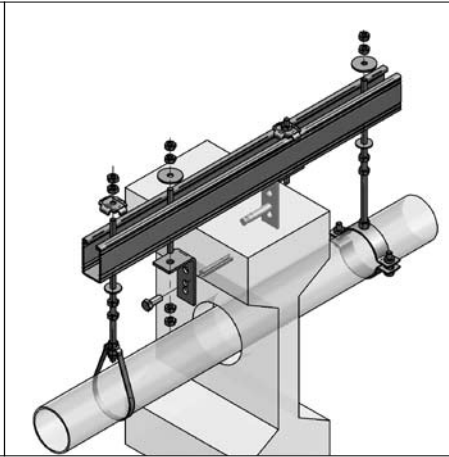


Brace 45° T-profile
See chapter 2

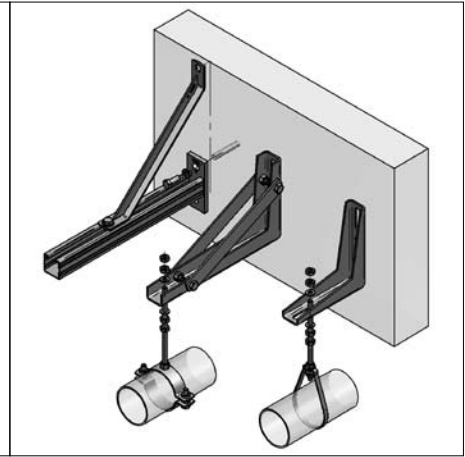
■ Assembly examples



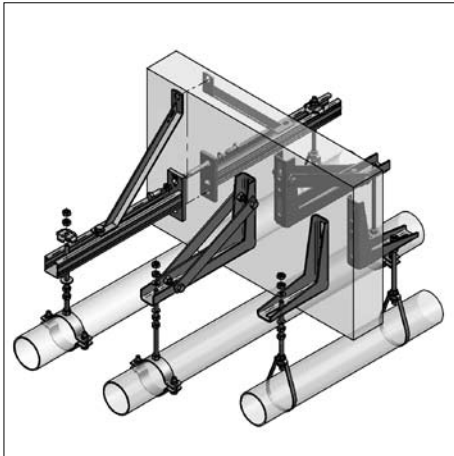
with steel girder



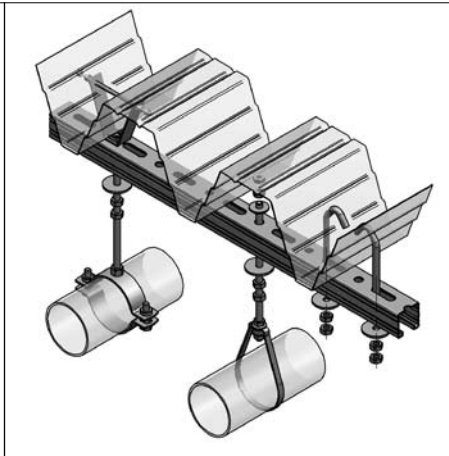
with reinforced concrete girder



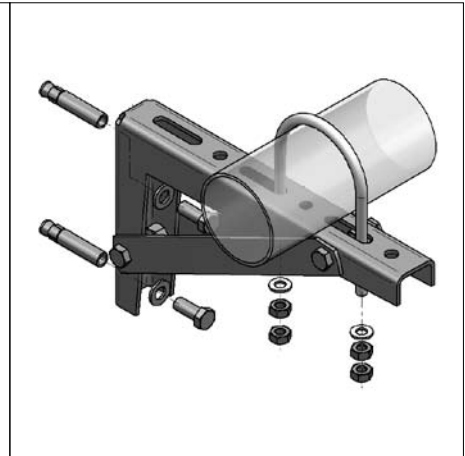
one-way projecting



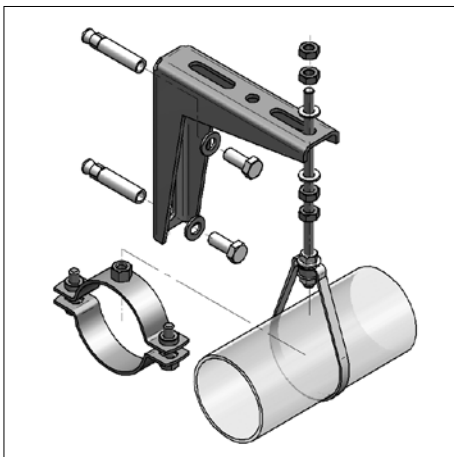
two-way projecting



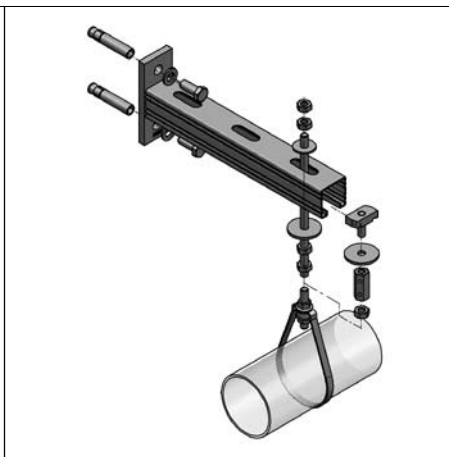
on trapeze sheet



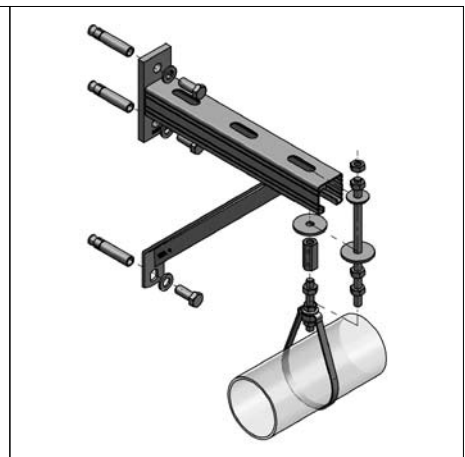
U-bolt on console



Universal console



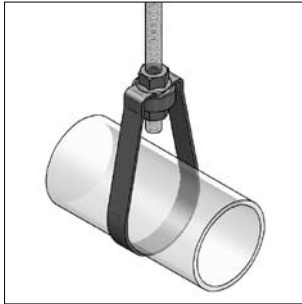
Console C-Profile



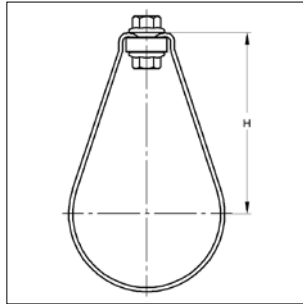
Console C-Profile with brace

12

■ Sprinkler pipe loop "S"



Sprinkler pipe loop „S“



G 404 0051

Specification:

Application area:

- for stationary fire-protection in fixed water-extinguishing-systems
- sprinkler plant engineering
- deluge installation
- CO₂ extinguishing system
- halon fire extinguishing system
- foam extinguishing system
- powder fire extinguishing system

Technical data:


Material: steel
 Material type: S235JR
 Surface: galvanized

Delivery form: not mounted, flange nuts and rings enclosed

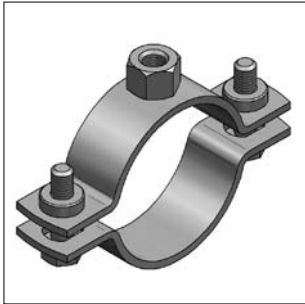
Loads: according to VdS specifications

Construction according to VdS guidelines

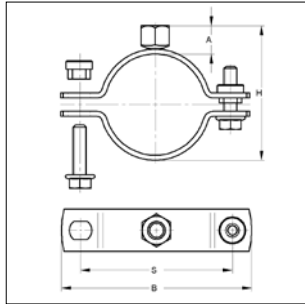
Identification	Pipe [Inch]	max. load [kN]	Connection thread	Pipe- OD	H [mm]	Weight [kg/pc.]	Packing [pcs.]	Part-No.
Sprinkler pipe loop "S"	1	2,0	M8	33,7	57,0	0,040	100	4700034
Sprinkler pipe loop "S"	1 ^{1/4}	2,0	M8	42,4	57,0	0,058	50	4700042
Sprinkler pipe loop "S"	1 ^{1/2}	2,0	M8	48,3	62,0	0,060	50	4700048
Sprinkler pipe loop "S"	2	3,5	M8	60,3	71,0	0,065	50	4700060
Sprinkler pipe loop "S"	1	2,0	M10	33,7	57,0	0,075	100	4701034
Sprinkler pipe loop "S"	1 ^{1/4}	2,0	M10	42,4	57,0	0,078	50	4701042
Sprinkler pipe loop "S"	1 ^{1/2}	2,0	M10	48,3	62,0	0,080	50	4701048
Sprinkler pipe loop "S"	2	3,5	M10	60,3	71,0	0,086	50	4701060
Sprinkler pipe loop "S"	2 ^{1/2}	3,5	M10	76,1	87,5	0,112	25	4700076
Sprinkler pipe loop "S"	3	3,5	M10	88,9	102,5	0,124	25	4700089
Sprinkler pipe loop "S"	4	3,5	M10	114,3	132,5	0,142	25	4700114
Sprinkler pipe loop "S"	5	5,0	M12	139,7	147,0	0,139	25	4700140
Sprinkler pipe loop "S"	6	8,5	M12	168,3	175,0	0,205	25	4700165

 assembly instructions see chapter 15

Sprinkler pipe clamp "SP"



Sprinkler pipe clamp "SP"



max. load according to VdS

nominal width of pipe	cross section	max. load
≤ DN 50	75 mm ²	2,0 kN
> DN 50 ≤ DN 100	90 mm ²	3,5 kN
> DN 100 ≤ DN 150	90 mm ²	5,0 kN
> DN 150 ≤ DN 200	250 mm ²	8,5 kN
> DN 200 ≤ DN 250	250 mm ²	10,0 kN

Specification:

- Application area:
- for Sprinkler systems (choice and application according to VdS guidelines for Sprinkler systems VdS CEA 4001, planning and installation)
- Version:
- pipe clamp with pendulum stick nut and two closure-screws
 - connection thread resistance press-welded, from dimension 50x5 circular welded
 - for double mounting thru flange holes on request

Technical data:

- Material: steel
 Material type: S235JR
 Surface: galvanized

* similar closure screws as heavy-duty clamp (see chapter 1)

Meeting VdS guidelines for Sprinkler systems VdS CEA 4001, planning and installation

Connection: Thread M8		DN ≤ 50									
Identification	Clamping range		Material	Closure-screws	H	A	B	S	Weight	Packing	Part-No.
	[mm]	[Inch]	[mm]		[mm]	[mm]	[mm]	[mm]	[kg/pc.]	[pcs.]	
Type "SP"	20 - 23	1/2	25x3,0	M8	38-41	15	73	49	0,169	50	0473022
Type "SP"	25 - 29	3/4	25x3,0	M8	43-47	15	80	56	0,179	50	0473027
Type "SP"	30 - 35	1	25x3,0	M8	50-53	15	87	63	0,191	50	0473034
Type "SP"	41 - 46	1 1/4	25x3,0	M8	59-64	15	98	74	0,209	50	0473042
Type "SP"	48 - 55	1 1/2	25x3,0	M8	66-73	15	107	83	0,223	50	0473048
Type "SP"	57 - 61	2	25x3,0	M8	75-79	15	114	90	0,239	50	0473060

Connection: Thread M10		DN ≤ 50									
Identification	Clamping range		Material	Closure-screws	H	A	B	S	Weight	Packing	Part-No.
	[mm]	[Inch]	[mm]		[mm]	[mm]	[mm]	[mm]	[kg/pc.]	[pcs.]	
Type "SP"	20 - 23	1/2	25x3,0	M8	40-43	17	73	49	0,169	50	0474022
Type "SP"	25 - 28	3/4	25x3,0	M8	45-48	17	80	56	0,179	50	0474027
Type "SP"	30 - 35	1	25x3,0	M8	52-55	17	87	63	0,191	50	0474034
Type "SP"	41 - 46	1 1/4	25x3,0	M8	61-66	17	98	74	0,209	50	0474042
Type "SP"	48 - 55	1 1/2	25x3,0	M8	68-75	17	107	93	0,223	50	0474048
Type "SP"	57 - 61	2	25x3,0	M8	77-81	17	114	90	0,239	50	0474060

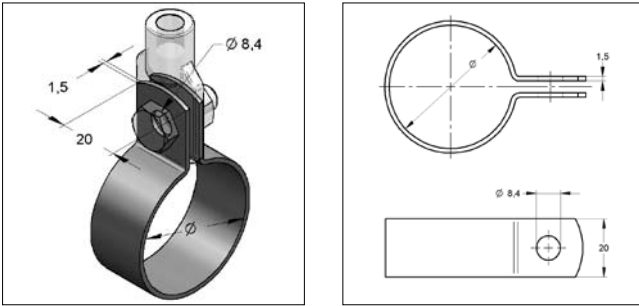
Connection: Thread M10		DN > 50 ≤ 100									
Identification	Clamping range		Material	Closure-screws	H	A	B	S	Weight	Packing	Part-No.
	[mm]	[Inch]	[mm]		[mm]	[mm]	[mm]	[mm]	[kg/pc.]	[pcs.]	
Type "SP"	70 - 76	2 1/2	25x3,0	M8	90-96	17	129	105	0,265	50	0474076
Type "SP"	84 - 90	3	30x3,0	M10	104-110	17	151	124	0,388	25	0475089
Type "SP"	106 - 112		30x3,0	M10	125-132	17	172	145	0,434	25	0475108
Type "SP"	114 - 118	4	30x3,0	M10	134-138	17	179	152	0,452	25	0475114

Connection: Thread M12		DN > 100 ≤ 150									
Identification	Clamping range		Material	Closure-screws	H	A	B	S	Weight	Packing	Part-No.
	[mm]	[Inch]	[mm]		[mm]	[mm]	[mm]	[mm]	[kg/pc.]	[pcs.]	
Type "SP"	132 - 137		30x3,0	M10	154-159	19	198	171	0,712	25	0476133
Type "SP"	139 - 144	5	30x3,0	M10	161-166	19	205	178	0,726	25	0476140
Type "SP"	157 - 162		30x3,0	M10	179-184	19	223	196	0,806	25	0476159
Type "SP"	164 - 168	6	30x3,0	M10	186-190	19	229	202	0,828	25	0476168

Connection: Thread M16		DN > 150 ≤ 200									
Identification	Clamping range		Material	Closure-screws	H	A	B	S	Weight	Packing	Part-No.
	[mm]	[Inch]	[mm]		[mm]	[mm]	[mm]	[mm]	[kg/pc.]	[pcs.]	
Type "SP"	219 *	8	50x5,0	M12	249	25	297	268	1,870	1	0477219

Connection: Thread M20		DN > 200 ≤ 250									
Identification	Clamping range		Material	Closure-screws	H	A	B	S	Weight	Packing	Part-No.
	[mm]	[Inch]	[mm]		[mm]	[mm]	[mm]	[mm]	[kg/pc.]	[pcs.]	
Type "SP"	273 *	10	50x5,0	M12	300	22	351	322	2,100	1	0478273

■ Sprinkler pipe loop "R"



Sprinkler pipe loop "R"

Specification:

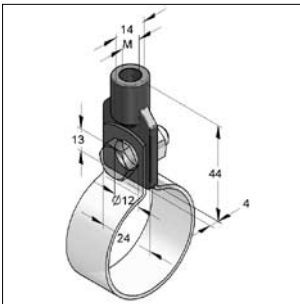
- Application area:
- one-part
 - pipe clamps without closure-screws
 - sprinkler pipe loop "R" may be mounted only in connection with adapter-mounting eye
- Needed accessory:
- required closure-screws M8 according to DIN EN ISO 4017
 - nuts according to DIN EN ISO 4032

Technical data:

- Material: steel
 Material type: S235JR
 Surface: galvanized

Identification	Pipe [Inch]	Pipe-OD	Weight [kg/pc.]	Packing [pc.]	Part-No
Sprinkler pipe loop "R"	1/2	21,3	0,024	1	0340014
Sprinkler pipe loop "R"	3/4	26,9	0,028	1	0340022
Sprinkler pipe loop "R"	1	33,7	0,032	1	0340030

■ Eye adaptor



Eye adaptor

Specification:

- Application area: - for sprinkler pipe loop "R"
- Needed accessory:
- required closure-screws M8 according to DIN EN ISO 4017,
 - nuts according to DIN EN ISO 4032

Technical data:

- Material: malleable cast iron
 Surface: galvanized

Identification	female-thread [M]	max. load according to VdS [kN]	Weight [kg/pc.]	Packing [pcs.]	Part-No.
Eye adaptor BO 25-8	M8	2,0	0,028	50	0350152
Eye adaptor BO 25-10	M10	3,5	0,025	50	0350174